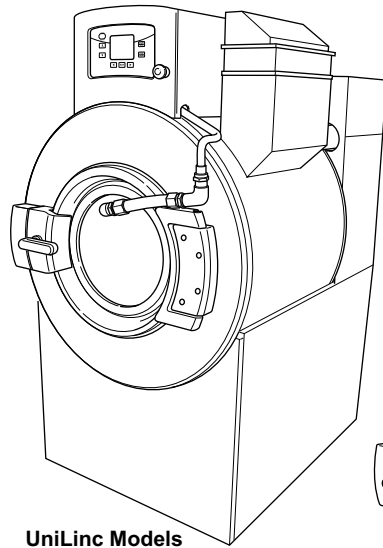


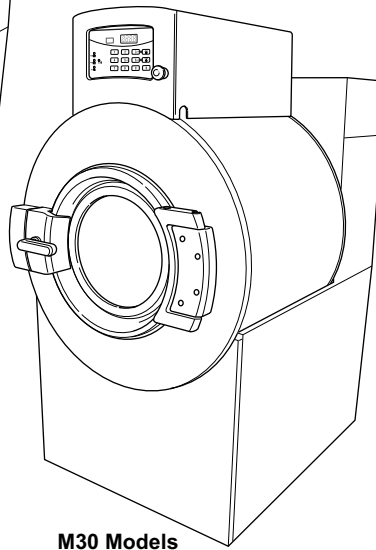
Washer-Extractor

Pocket Hardmount

Refer to Page 3 for Model Numbers



UniLinc Models



M30 Models

PHM1425C_F8453401

Table of Contents

Title	Page
Parts Ordering Information.....	2
Nameplate Location	2
Model Identification	3
Pocket Hardmount Washer-Extractor Product Overview	4
Control Module (Drawing 1 of 2)	6
Control Module (Drawing 2 of 2)	8
Inverter Drive Box (Drawing 1 of 2).....	10
Inverter Drive Box (Drawing 2 of 2).....	12
Balance Switch and Temperature Probe	14
Panels	16
Drive Box and Water Supply Box.....	18
Door and Spray Tube Assembly	20
Door Lock.....	22
Basket	24
Shell and Frame.....	26
Supply Dispenser	28
Chemical Injection.....	30
Water Supply Valve and Hoses to Supply Dispenser	32
Fill Plumbing Assembly	34
Spray Plumbing Assembly	36
Drain	38
Motor, Pulley and Bearings	40
Electric Heat Option	42
Steam Heat Option	44
Special Tools	46
Parts Index.....	49

© Copyright 2013, Alliance Laundry Systems LLC

All rights reserved. No part of the contents of this book may be reproduced or transmitted in any form or by any means without the expressed written consent of the publisher.

Parts Ordering Information

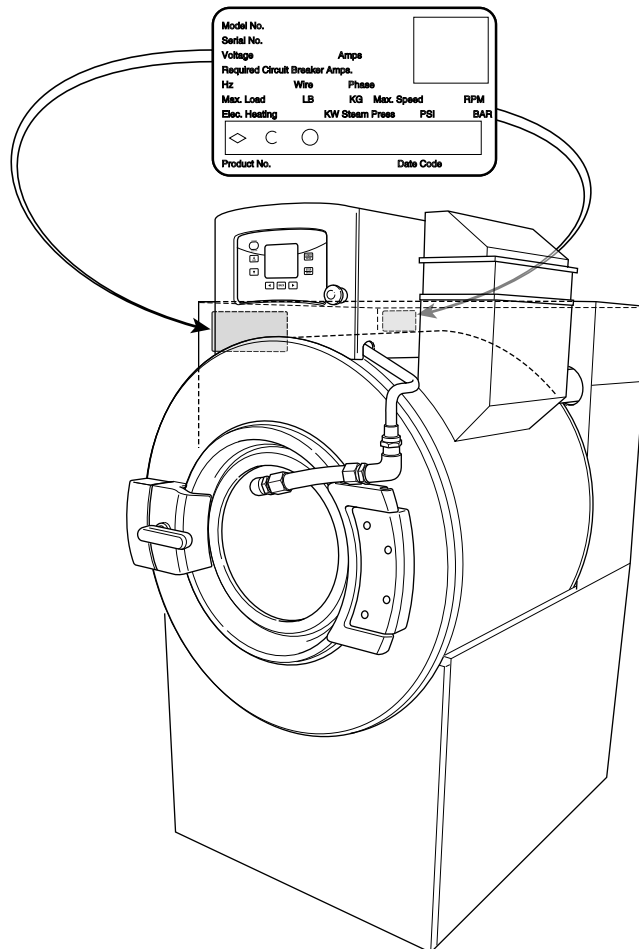
If literature or replacement parts are required, contact the source from whom the machine was purchased or contact Alliance Laundry Systems at (920) 748-3950 for the name and address of the nearest authorized parts distributor.

For technical assistance, call either of the numbers listed below:

(920) 748-3121 Ripon, Wisconsin
+32 56 41 20 54 Wevelgem, Belgium

Nameplate Location

When calling or writing about your product, be sure to mention model and serial numbers. Model and serial numbers are located on nameplate(s) as shown.



PHM3186P_F8453401

Model Identification

Information in this manual is applicable to these washer-extractor models:

UWL045K1L
UWL045K1M
UWL045K2L
UWL045K2M
UWL045T3V
UWL045T4V
UWL065K1L
UWL065K1M
UWL065K2L
UWL065K2M
UWL065T3V
UWL065T4V

UWN045K1L
UWN045K1M
UWN045K2L
UWN045K2M
UWN045T3V
UWN045T4V
UWN065K1L
UWN065K1M
UWN065K2L
UWN065K2M
UWN065T3L
UWN065T3M
UWN065T3V
UWN065T4L
UWN065T4M
UWN065T4V

UWU045K1L
UWU045K1M
UWU045K2L
UWU045K2M
UWU045T3V
UWU045T4V
UWU065K1L
UWU065K1M
UWU065K2L
UWU065K2M
UWU065T3L
UWU065T3M
UWU065T3V
UWU065T4L
UWU065T4M
UWU065T4V

Pocket Hardmount Washer-Extractor Product Overview

Model No. **UWN060T3VXU1001**

Serial No. **00000000000**

Voltage **200 – 240** Hz **50-60** Phase **3**

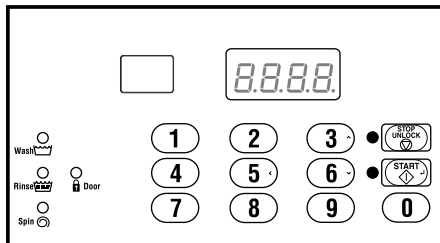
Number of wires : **3** FLA : **19** amps

Circuit Breaker Size : **30** amps

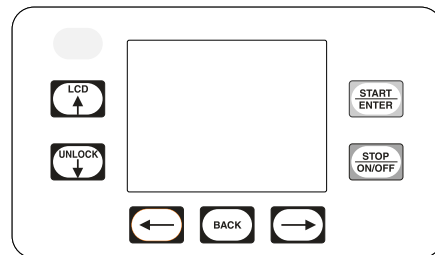
Max. Load : **60** LB **27** KG

Schematic :
Supply Water: **30 - 85** psi, **2 - 5.7** BAR

Alliance
Laundry Systems



M30 Control



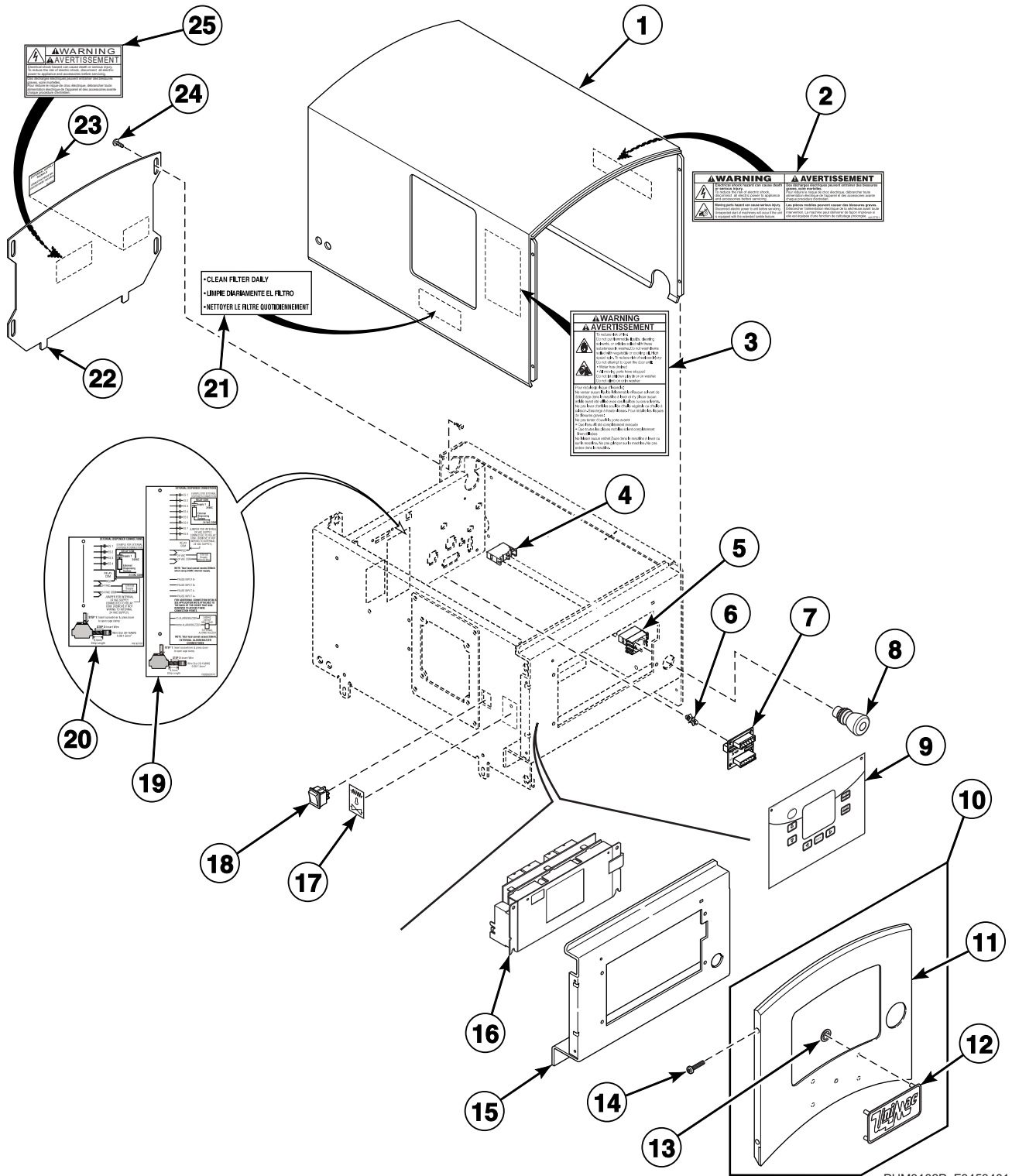
UniLinc Control

PHM3063P_F8453401

Pocket Hardmount Washer-Extractor Product Overview

REF	PART NO.	DESCRIPTION	COMMENTS
1	-	Product Family	UW
2	-	Market Approvals	N (Domestic ETL) L (International ETL) U (International CE)
3	-	Capacity (Dry Weight in Pounds)	045 065
4	-	Control	K (M30 Control) T (UniLinc Control)
5	-	Spray/Dispenser Feature	1 (No spray but with dispenser) 2 (No spray or dispenser) 3 (With spray and dispenser) 4 (With spray but no dispenser)
6	-	Speed	L (Low-Speed - 100G) M (Medium-Speed - 200G) V (Variable-Speed - 400G)
7	-	Voltage	O (208/220-240/60/3/3) X (200-208/220/240/50/60/1/3) Q (200-208/220-240/50/60/3) P (380-415/50/60/3) N (440-480/50/60/3)
8	-	OEM	U
9	-	Design Series	4
10	-	Heat Feature	0 (Standard) D (Direct steam) E (Electric heat) P (Prep for steam heat)
11	-	Features and Options	

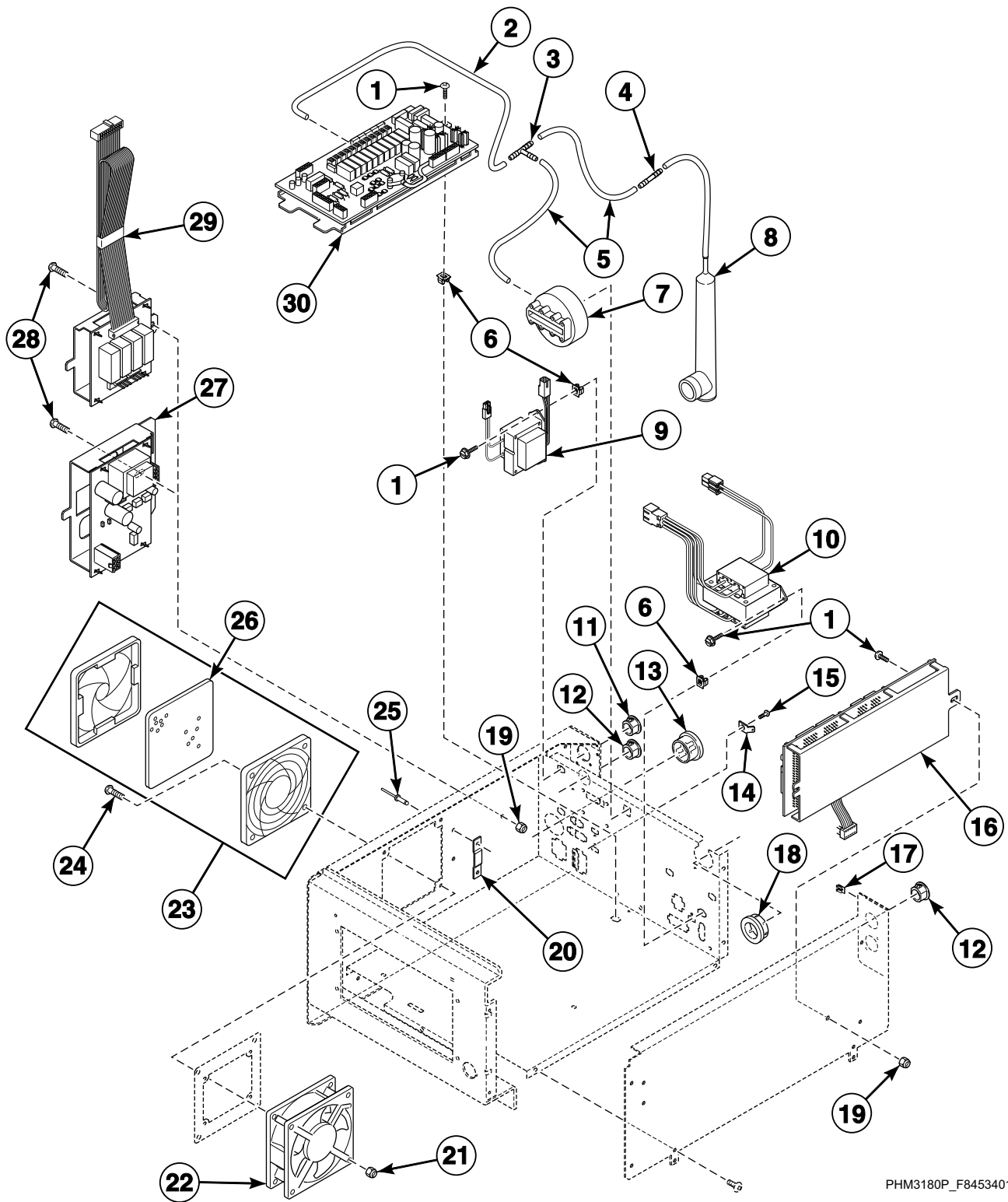
Control Module (Drawing 1 of 2)



Control Module (Drawing 1 of 2)

REF	PART NO.	DESCRIPTION	COMMENTS
	F8028701	Output/Logic Harness	
1	F8412501P	Module Box Panel Kit	45 pound models; Top; Includes item 3
	F8412502P	Module Box Panel Kit	65 pound models; Top; Includes item 3
2	44127701	Warning Label	Disconnect power
3	F8428701	Warning Label	Reduce fire risk
4	F8069501	Contact Switch	
5	F200233401	Contact Block Switch	
	F8060501	Emergency Stop Harness	
6	210098	PC Board Standoff	Network models
7	210095P	Communication Board	Network models
	NK205	Network Retrofit Kit	Includes item 6, 201341 Network Board Assembly, 210099 Communication Connector, 430497 Screw, 44088501 Network Wire Harness Assembly and 800246 Communication Wire Harness Assembly
	NK220	Network Controller Kit	Network models
	NK301	Wireless Network Kit	
	NK320	Ethernet Gateway Kit	Used with NK301 Wireless Network Kit
	NK330	USB Gateway Kit	Used with NK301 Wireless Network Kit
8	F200233500	Emergency Stop Pushbutton	
9	F8237101	Control Module Decal	Models with a T in the 7th position
	F8383101	Control Module Decal	All other models
10	F8410301P	Module Box Panel Kit	Front; Includes items 11-13
11	F8410301	Module Box Panel	Front
12	F8443101	Logo	
13	M400977	Nut	
14	F8117601	Screw	
15	F8408601	Control Panel Assembly	Front
16	F119P3	Control Kit	L-speed models
	F101P3	Control Kit	M-speed models with a T in the 7th position
	F122P3	Control Kit	M-speed models with a K in the 7th position
	F100P3	Control Kit	V-speed models with a T in the 7th position
17	F8368301	Steam-Electric Switch Label	Dual heat
18	F8367701	Rocker Switch	Dual heat
19	F8161701	External Supply Label	Models with a K in the 7th position
20	F8059801	External Supply Connection Decal	Models with a T in the 7th position
21	F200061000	Clean Filter Daily Decal	
22	F8408901	Module Box Panel	Rear
23	F8150201	External Supply Connection Decal	
24	F430174	Screw	
25	F8233501	Warning Label	Shock

Control Module (Drawing 2 of 2)

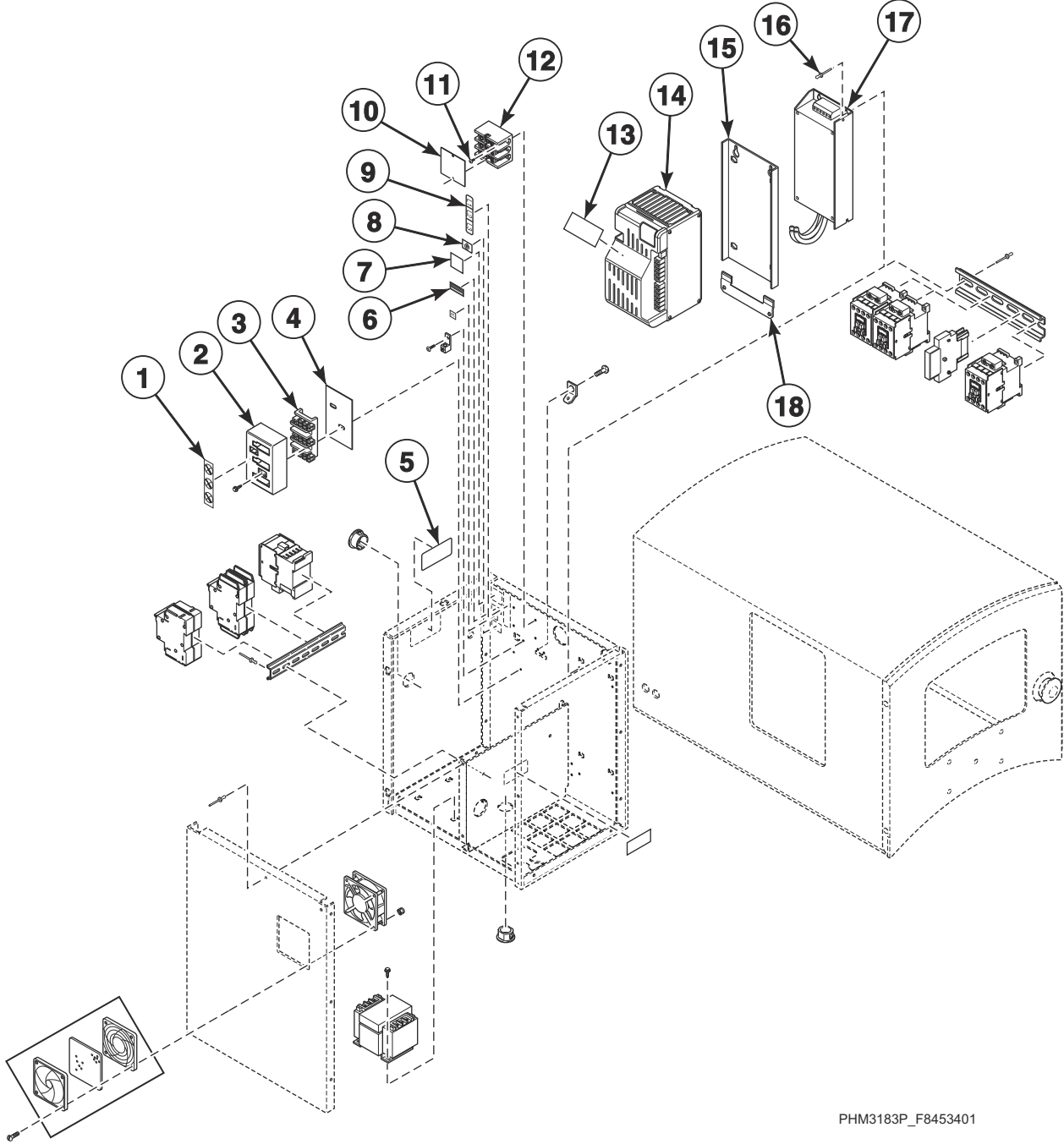


PHM3180P_F8453401

Control Module (Drawing 2 of 2)

REF	PART NO.	DESCRIPTION	COMMENTS
	F8028109	CFG Harness	
	44088501P	Network Wire Harness Assembly	
	F8367801	Power Harness	Dual heat
	F8060401P	Power Harness	All other models
	F8030101P	Drive Control Harness	
	F8158801P	Interlock Switch Harness	Models with a K in the 7th position
	F8030501P	Interlock Switch Harness	Models with a T in the 7th position
	M413506	Jumper Harness Assembly	208 Volt
	M413507	Jumper Configuration Assembly	240 Volt
1	F8117601	Screw	
	F8206901	Screw	
2	F8153901	Tubing	
3	F8246601	Tee	
4	F422500	Connector	
5	F8339601	Tubing	
6	70030501	Expansion Clip	
7	F8223001P	Water Pressure Switch	
8	30907	Pressure Bulb	
9	201616P	Transformer	External supply
10	803527P	Transformer	Machine control voltage
11	F8223901	Plug	
12	M400985	Plug	
13	M402542	Snap Bushing	
14	00117	Female Pin Terminal	
15	51780	Screw	
16	F8108501P	Output Assembly	
17	M400984	Clip	
18	70346501	Bushing	
19	F430232	Nut	
20	F8079401	Network Board Bracket	
21	F430231	Nut	
22	F110110	Muffin Fan	
23	F220900	Filter Retainer Guard	Includes item 24
24	F8151201	Screw	
25	F431210	Pop Rivet	
26	F200318900P	Filter	
27	201341	Network Board Assembly	Network models
28	F430903	Screw	
29	F8189401	Auxiliary Control Assembly	Models with a K in the 7th position
30	F980P3	Control Assembly Kit	
	802492	Fuse	5 Amp
	802493	Fuse	2.5 Amp

Inverter Drive Box (Drawing 1 of 2)

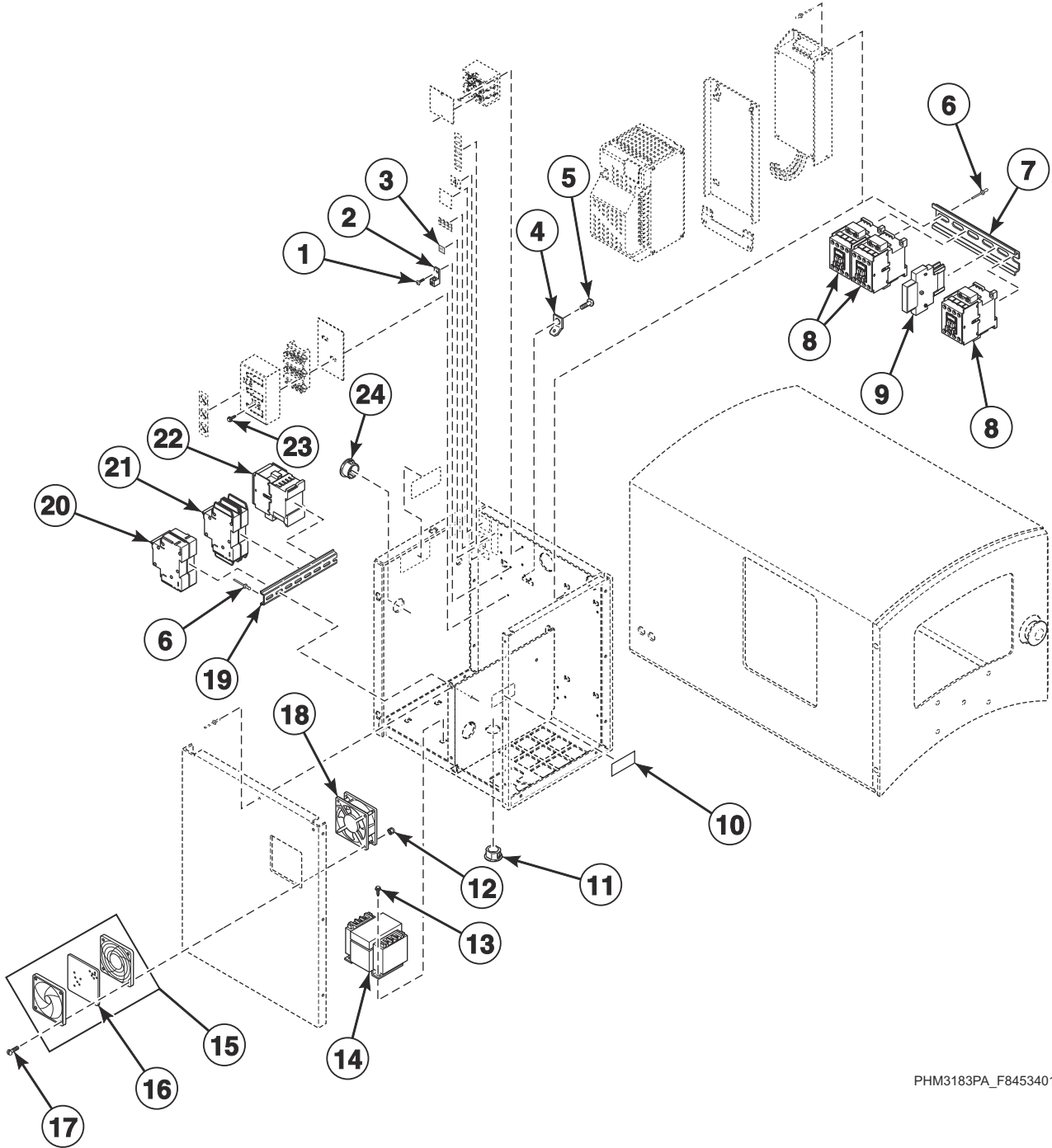


PHM3183P_F8453401

Inverter Drive Box (Drawing 1 of 2)

REF	PART NO.	DESCRIPTION	COMMENTS
	F8054601	Electric Heat Harness	Left
	F8054602	Electric Heat Harness	Middle
	F8054603	Electric Heat Harness	Right
	F8060001	Logic Supply Power Harness	
	F8060301	Main Power Harness	
	F8054901	Electric Heat Coils Harness	KM8A
	F8054903	Electric Heat Coils Harness	KM8ABL
1	F8345901	Do Not Tamper Label	
2	70333001	Terminal Block Shield	
3	430642	Terminal Block	
4	M413862	Insulator	
5	44127701	Warning Label	Shock/pinch
6	F8242201	Use Copper Conductors Only Caution Label	
7	F230630	Ground Decal	
8	F230739	Ground Decal	
9	70218701	Wire Label	
10	44014901P	Power Distribution Block Cover	Electric heat
11	39733	Screw	Electric heat
12	M413865	Terminal Block	Electric heat
13	F8115501	Electric Shock Danger Label	
14	F8204801	Drive Assembly	
	F8027802	Drive Power Harness	
	F8030201P	Drive Control Harness	
15	F8386901	Drive Mounting Bracket	Used when filter (item 17) is not present
16	70058501	Pop Rivet	
17	F8053901P	EMI Filter	UWU models; Q and X-voltage
	F8053902	EMI Filter	UWU models; N and P-voltage
	F827P3	EMI Filter Kit	240 Volt
	F828P3	EMI Filter Kit	480 Volt
	F8129001	EMI Filter Power Harness	
18	F8322401	Drive Mounting Bracket	

Inverter Drive Box (Drawing 2 of 2)

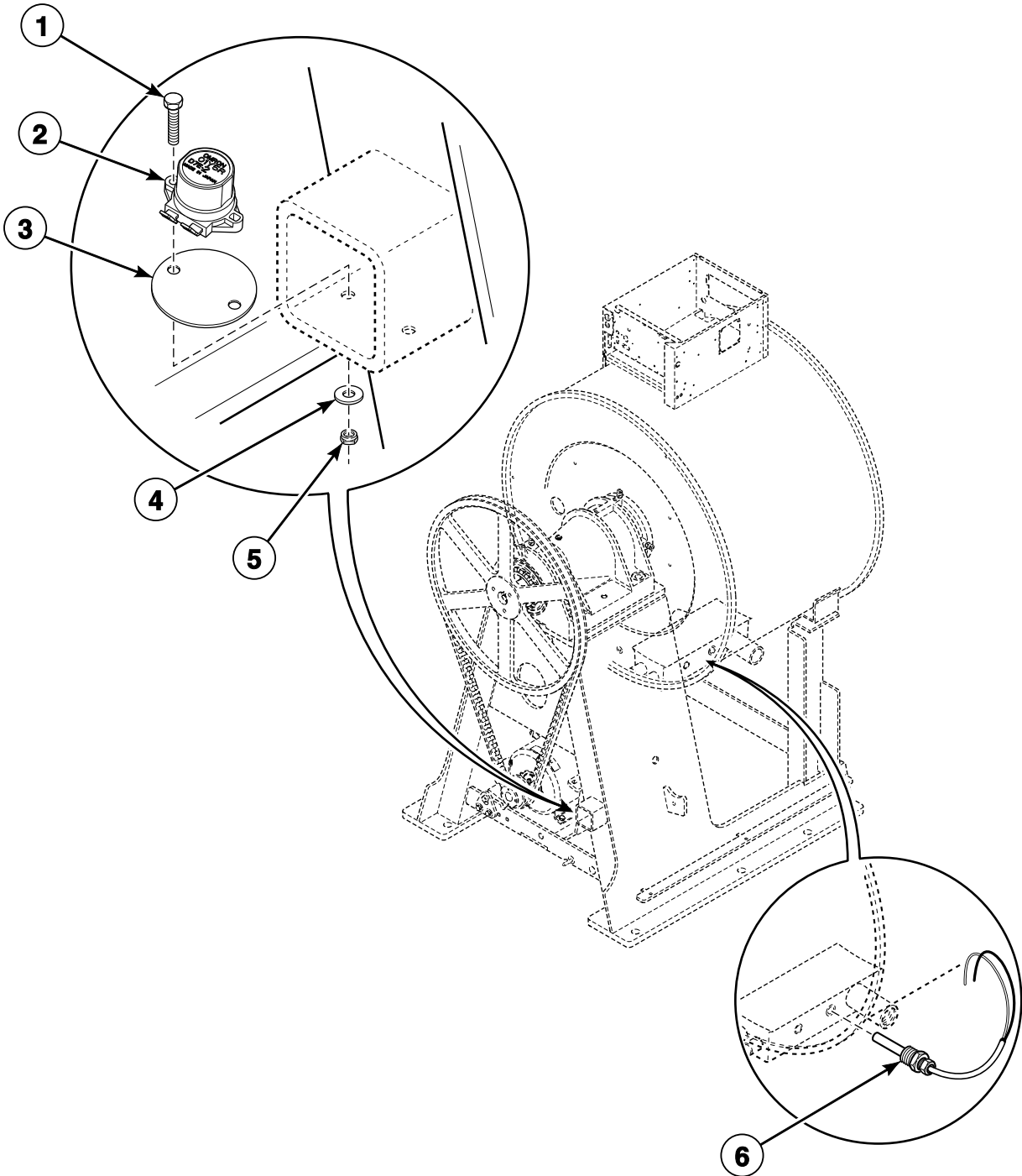


PHM3183PA_F8453401

Inverter Drive Box (Drawing 2 of 2)

REF	PART NO.	DESCRIPTION	COMMENTS
1	51780	Screw	
2	00177	Male Tab Terminal	
3	M412096	Earth Terminal Sticker	
4	M411283	Ground Lug Connector	
5	F430903	Screw	
6	70058501	Pop Rivet	
7	F8134101	DIN Rail	
8	F330177P	Contactors	Models with a 2 in the 8th position
9	F330186P	Interlock Contactors	
10	F200061000	Clean Filter Daily Decal	
11	F8223901	Plug	
12	F430231	Nut	
13	M411072	Screw	
14	201616P	Transformer	
15	F200318900P	Filter	
16	F220900	Filter Retainer Guard	Includes item 15
17	F8151201	Screw	
18	F110110	Muffin Fan	
	F8113901	Drive Fan Harness	
19	F8134001	DIN Rail	
20	F8303001P	Circuit Breaker	Electric heat
	70256901P	Circuit Breaker	Electric heat
	F8030001	Harness	Used with F350216 Circuit Breaker
	F8030002P	Harness	Used with F350216 Circuit Breaker
	F8405101	Step Down Power Harness	Used with 70256901P Circuit Breaker
21	F8303001P	Circuit Breaker	R-voltage
22	F330188P	Contactors	NX208; Q, N and P-voltage; Electric heat
23	51783	Screw	
24	M402542	Snap Bushing	

Balance Switch and Temperature Probe

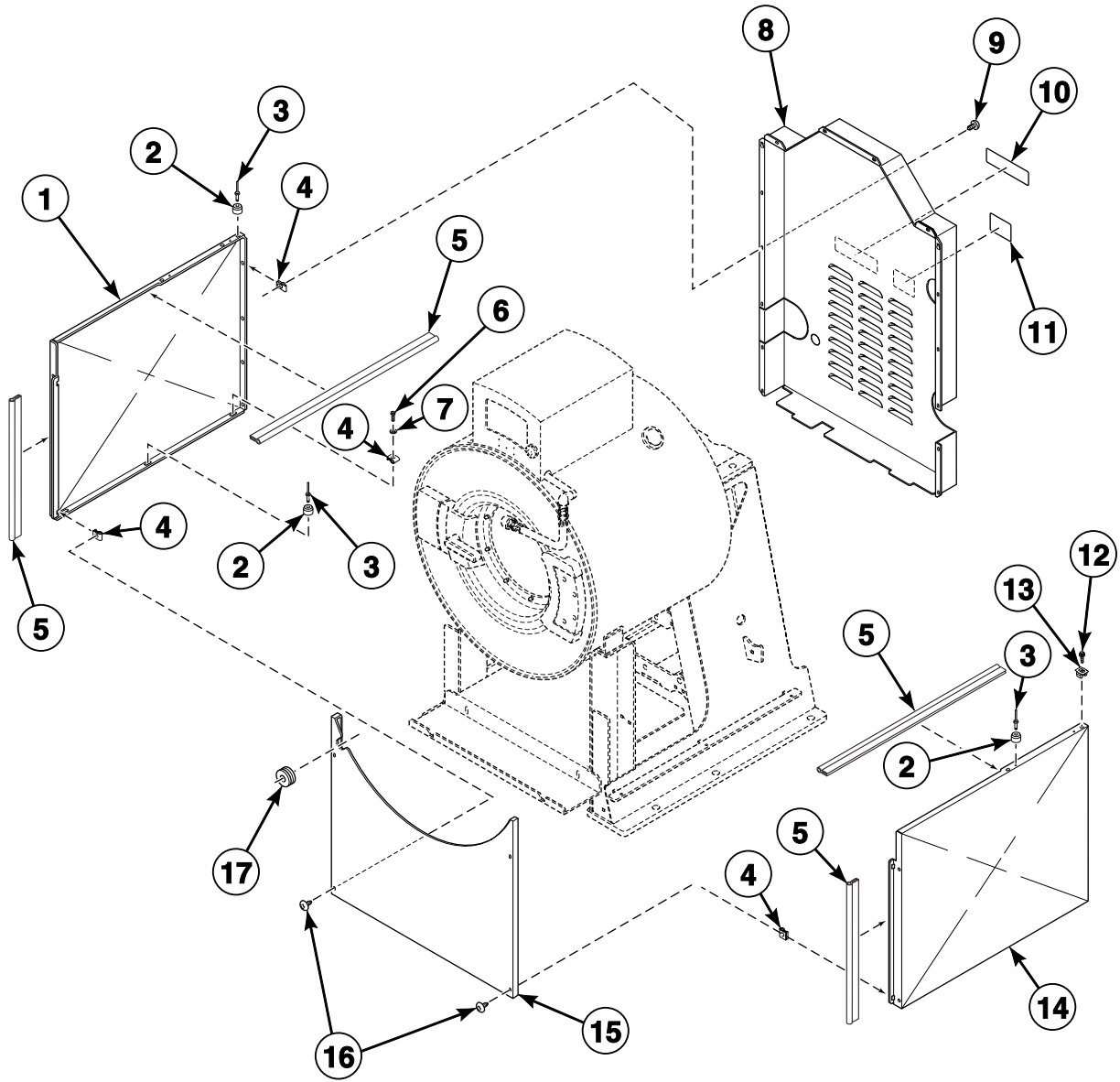


PHM3176P_F8453401

Balance Switch and Temperature Probe

REF	PART NO.	DESCRIPTION	COMMENTS
1	M401938	Screw	
2	F8204001	Vibration Switch	
3	F8337301	Vibration Switch Shield	
4	F431125	Washer	
5	F430225	Nut	
6	F370609	Thermistor Sensor	
	F8028221P	Temperature Harness	Electric heat
	F8028230	Temperature Harness	Standard; Models with a T in the 7th position
	F8028234	Temperature Harness	Standard; Models with a K in the 7th position

Panels

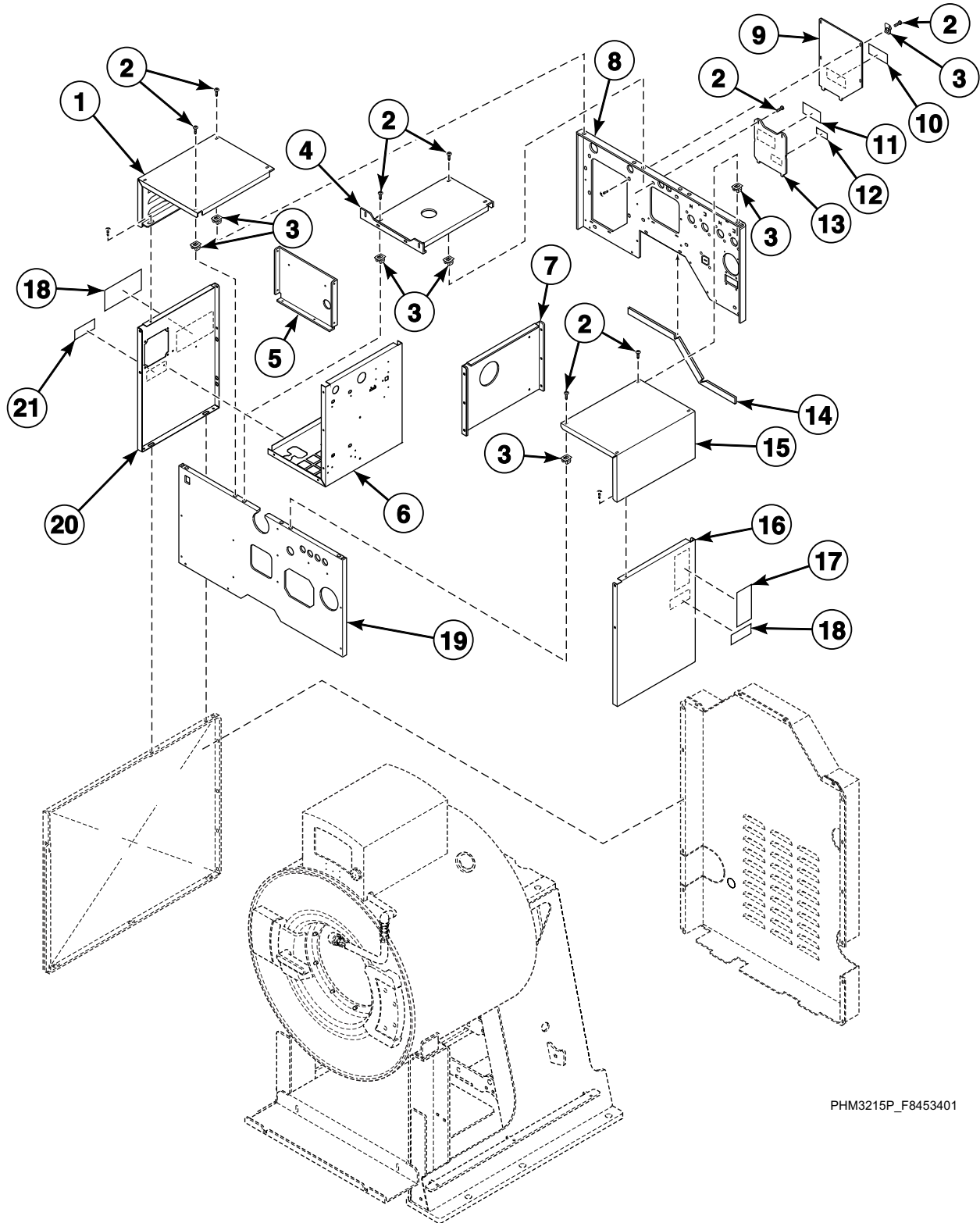


PHM3172P_F8453401

Panels

REF	PART NO.	DESCRIPTION	COMMENTS
1	F8407902	Left Side Panel	45 pound models
	F8407904	Left Side Panel	65 pound models
2	56079	Panel Locator	
3	M412763	Rivet	
4	70030401	Nut	
5	F8412802	Trim	
6	20253	Screw	
7	M405535	Washer	
8	F8487901	Belt Guard Assembly	
9	F8206901	Screw	
10	44127701	Warning Label	Shock/pinch
11	F8246401	Mount on Concrete Warning Label	
12	M411072	Screw	
13	70030501	Expansion Clip	
14	F8407901	Right Side Panel	45 pound models
	F8407903	Right Side Panel	65 pound models
15	F8408001	Front Panel	
16	70182601	Screw	
17	F170604	Grommet	

Drive Box and Water Supply Box

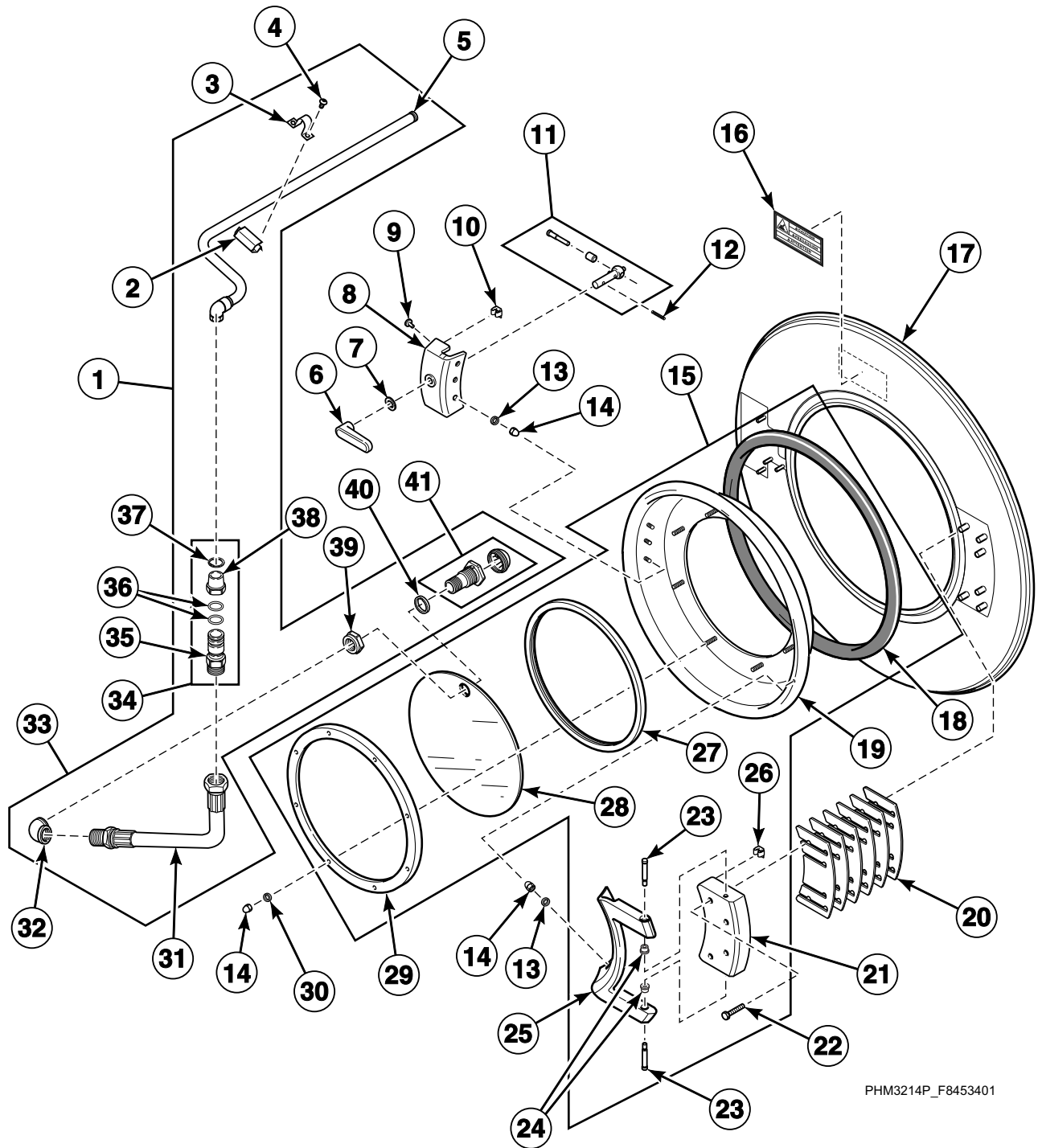


PHM3215P_F8453401

Drive Box and Water Supply Box

REF	PART NO.	DESCRIPTION	COMMENTS
1	F8374002	Top Left Cover	
2	F8206901	Screw	
3	70030501	Expansion Clip	
4	F8374101	Top Cover	
5	F8332801	Drive Box Partition	
6	F8324501	Drive Mounting Panel	
7	F8439001	Bulkhead Brace	
8	F8438901	Rear Bulkhead Panel	
9	F8323801	Electrical Access Cover	
10	F8448801	Conversion Label	200-208 VAC
	F8099801	Conversion Label	380-415 VAC
11	F8150201	External Supply Connection Decal	
12	F8233501	Warning Label	Shock
13	F8447901	Chemical Connection Cover	
14	F8439101	Rear Bulkhead Edging	
15	F8374001	Top Right Cover	
16	F8374201	Right Bulkhead Panel	
17	F8428501	Warning Label	
18	44127701	Warning Label	
19	F8286501	Front Bulkhead Panel	Models with a 2 or 4 in the 8th position
	F8286502	Front Bulkhead Panel	Models with a 1 or 3 in the 8th position
	F8286503	Front Bulkhead Panel	Models with a 2 or 4 in the 8th position; Models with a DH switch
	F8286504	Front Bulkhead Panel	Models with a 1 or 3 in the 8th position; Models with a DH switch
20	F8374202	Left Bulkhead Panel	
21	F8233501	Warning Label	Shock

Door and Spray Tube Assembly

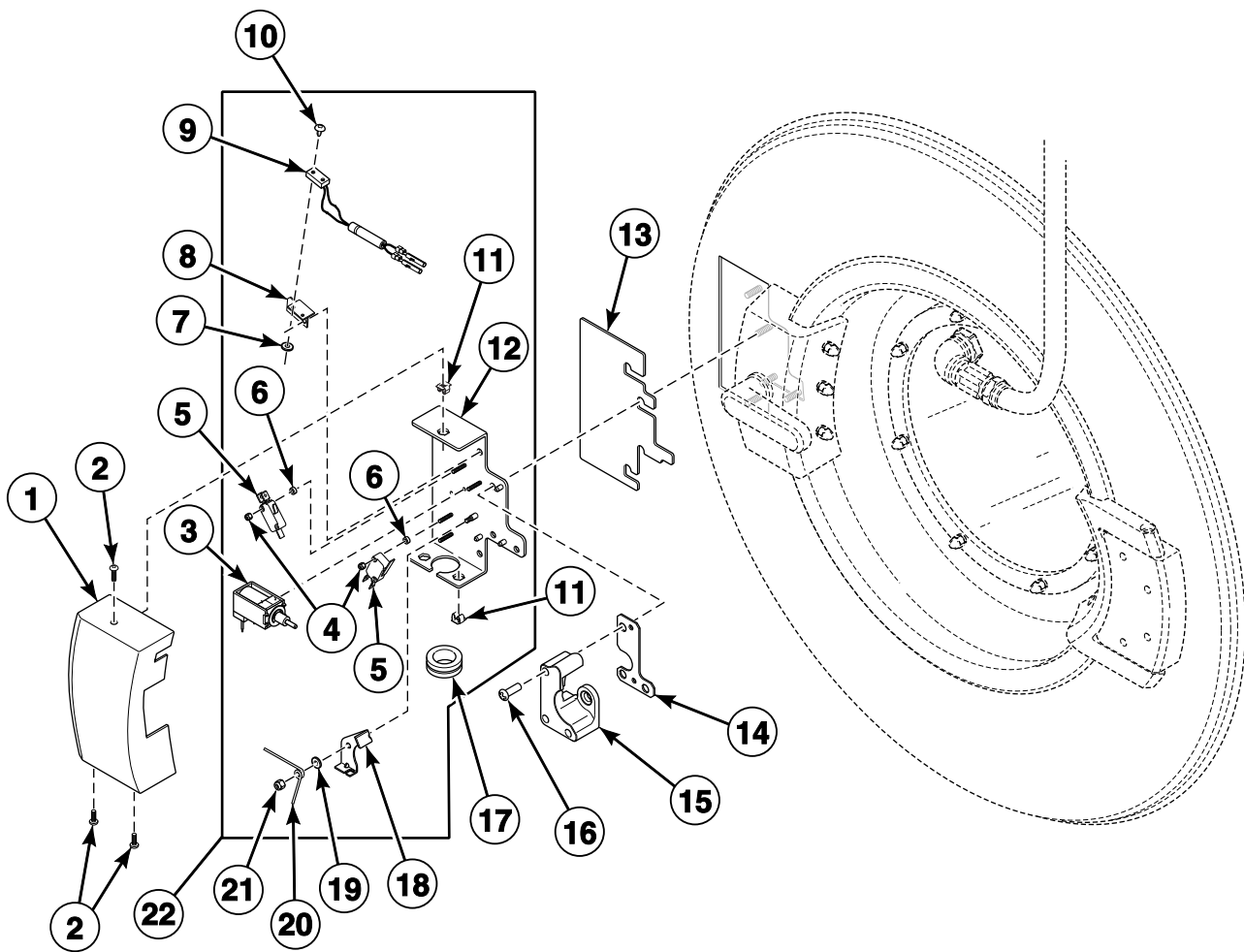


PHM3214P_F8453401

Door and Spray Tube Assembly

REF	PART NO.	DESCRIPTION	COMMENTS
	F825P3	Door Assembly Kit	Includes item 15, 70030501 Expansion Clip, F8117601 Screw, F8435801 Door Lock Cover and F8398401 Door Lock Plate; Models with a 3 or 4 in the 8th position
	F826P3	Door Assembly Kit	Includes item 15, 70030501 Expansion Clip, F8117601 Screw, F8435801 Door Lock Cover and F8398401 Door Lock Plate; Models with a 1 or 2 in the 8th position
1	F821P3	Spray Rinse Kit	Includes items 2-5, 31, 32, 34-41 and F8464301 Gasket Shell Band; Models with a 3 or 4 in the 8th position
2	F8451101	Spray Rinse Bracket	Models with a 3 or 4 in the 8th position
3	F8451701	Spray Rinse Strap	Models with a 3 or 4 in the 8th position
4	431287	Screw	Models with a 3 or 4 in the 8th position
5	F8332302	Spray Rinse Tube Assembly	45 pound models with a 3 or 4 in the 8th position
	F8332301	Spray Rinse Tube Assembly	65 pound models with a 3 or 4 in the 8th position
6	F8435501	Door Handle	
7	F431916	Washer	
8	F8435701	Handle Mount	
9	F8406201	Magnet	
10	70030501	Expansion Clip	
11	F8221401	Door Latch Arm Assembly	
12	F431222	Spring Pin	
13	F431147	Washer	
14	F431026	Nut	
15	F8307802	Door Assembly	Includes items 18, 19 and 21-29; Models with a 3 or 4 in the 8th position
	F8307801	Door Assembly	Includes items 18, 19 and 21-29; Models with a 1 or 2 in the 8th position
16	F200085000	Hot Surface Warning Decal	
17	F8319901	Shell Front Assembly	Includes F8233201 Stud, F8277001 Shell Front and F8442001 Pin
18	F8434901P	Door Gasket	
19	F8308001	Door Weldment	Studded
20	F8398301	Door Hinge Shim	
21	F8435901	Door Lug Hinge	
22	F8270701	Bolt	
23	C001784	Bolt	
24	F8378701	Bushing	
25	F8436001	Door Hinge	
26	70030501	Expansion Clip	
27	C000190	Door Glass Gasket	
28	F8323401	Door Glass	Models with a 3 or 4 in the 8th position
	C000191	Door Glass	Models with a 1 or 2 in the 8th position
29	F8323301	Door Glass Retainer	
30	F431100	Washer	
31	F8455501	Spray Rinse Hose	Models with a 3 or 4 in the 8th position
32	F8453701	Elbow	Models with a 3 or 4 in the 8th position
33	F8510701	Spray Rinse Assembly Kit	Includes items 31, 32 and 34
34	F8504001	Swivel Coupling Assembly	Includes items 35-38; Models with a 3 or 4 in the 8th position
35	F8453602	Swivel Coupling Body	Models with a 3 or 4 in the 8th position
36	F170200	O-Ring	Models with a 3 or 4 in the 8th position
37	F310206	Ring Retainer	Models with a 3 or 4 in the 8th position
38	F8453801	Swivel Coupling Bushing	Models with a 3 or 4 in the 8th position
39	F8322601	Nut	Models with a 3 or 4 in the 8th position
40	F8322701	Spray Nozzle Gasket	Models with a 3 or 4 in the 8th position
41	F8356301	Door Spray Nozzle Assembly	Models with a 3 or 4 in the 8th position

Door Lock

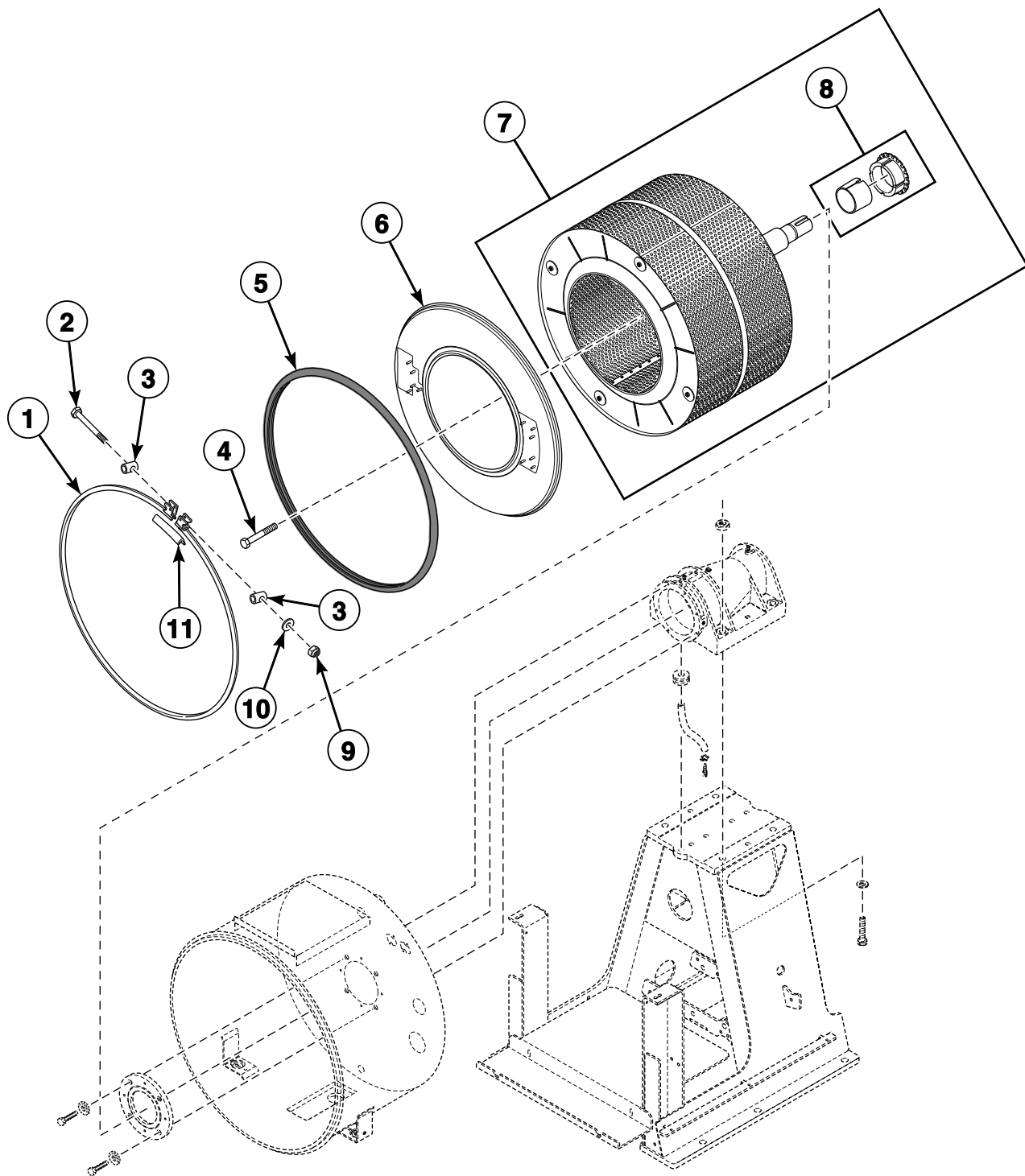


PHM3179P_F8453401

Door Lock

REF	PART NO.	DESCRIPTION	COMMENTS
1	F8435801	Door Lock Cover	
2	F8270701	Bolt	
3	F8340101	Solenoid	
4	F430225	Nut	
5	F200203200	Door Lock Microswitch	
6	F431901	Spacer	
7	F431125	Washer	
8	F8402601	Reed Switch Bracket	
9	F8066801P	Reed Switch Assembly	
10	F8245101	Blind Rivet	
11	70030501	Expansion Clip	
12	F8320401	Door Lock Plate Assembly	
13	F8398401	Door Lock Plate Shim	
14	F8484401	Shim	
15	F8344501	Door Lock Catch	
16	F8117601	Screw	
17	F8457801	Grommet	
18	F8223401	Door Lock Switch Lever	
19	F8193101	Washer	
20	F8070301	Torsion/Door Lock Spring	
21	F430232	Nut	
22	F8320501	Door Lock Assembly	Includes items 3-12 and 17-21

Basket

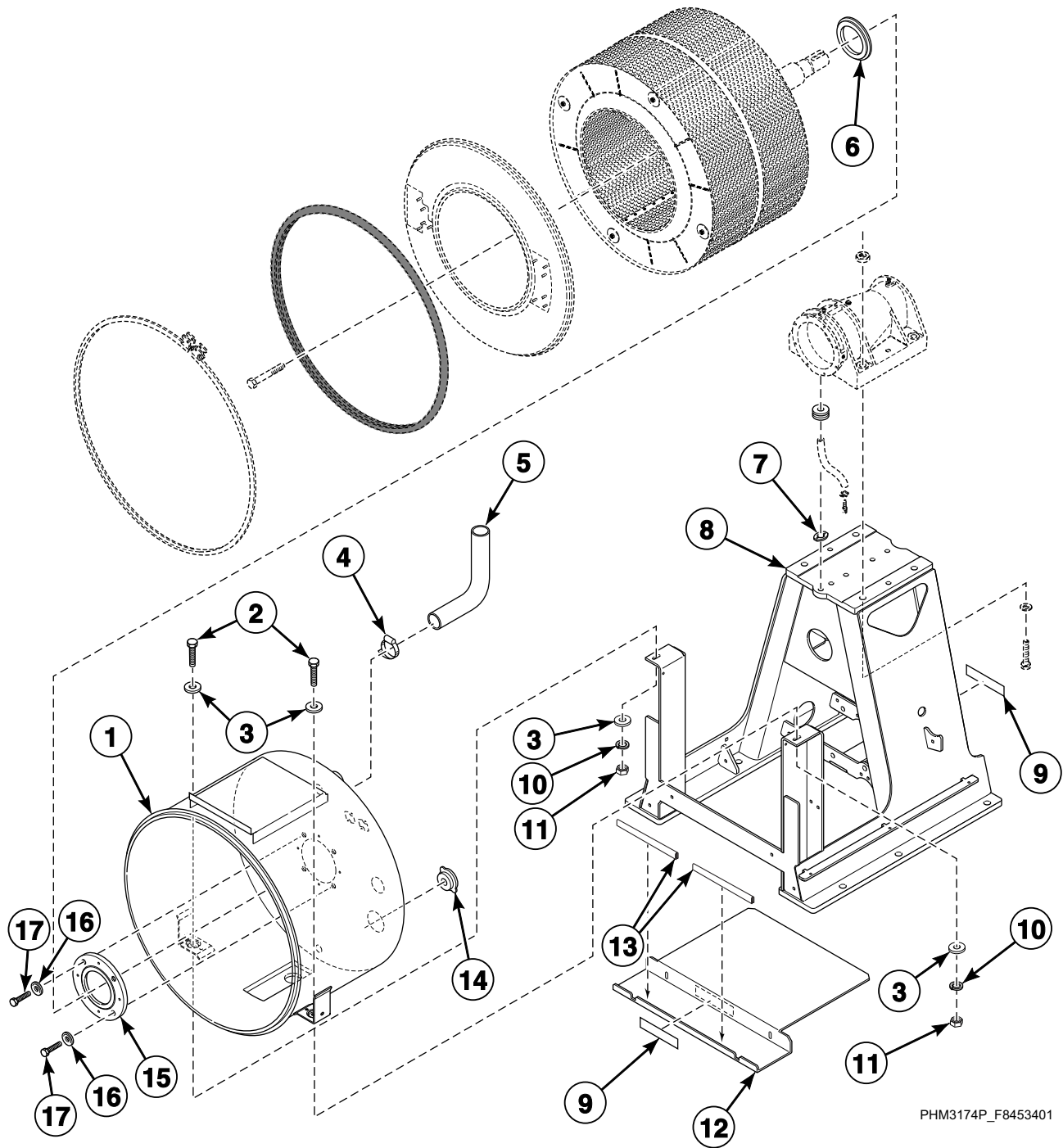


PHM3210P_F8453401

Basket

REF	PART NO.	DESCRIPTION	COMMENTS
1	F8388005	Shell Band	
2	800462	Screw	
3	F8302701	Pin	
4	804398	Screw	
5	F8502305	Shell Band Gasket	
6	F8319901	Shell Front Assembly	
7	F8424202P	Basket Assembly Kit	45 pound models; Includes item 8
	F8424302P	Basket Assembly Kit	65 pound models; Includes item 8
8	F8382501	Sleeve Adapter	
9	F430218	Nut	
10	M400080	Washer	
11	F8510501	Shell Extension Band	

Shell and Frame



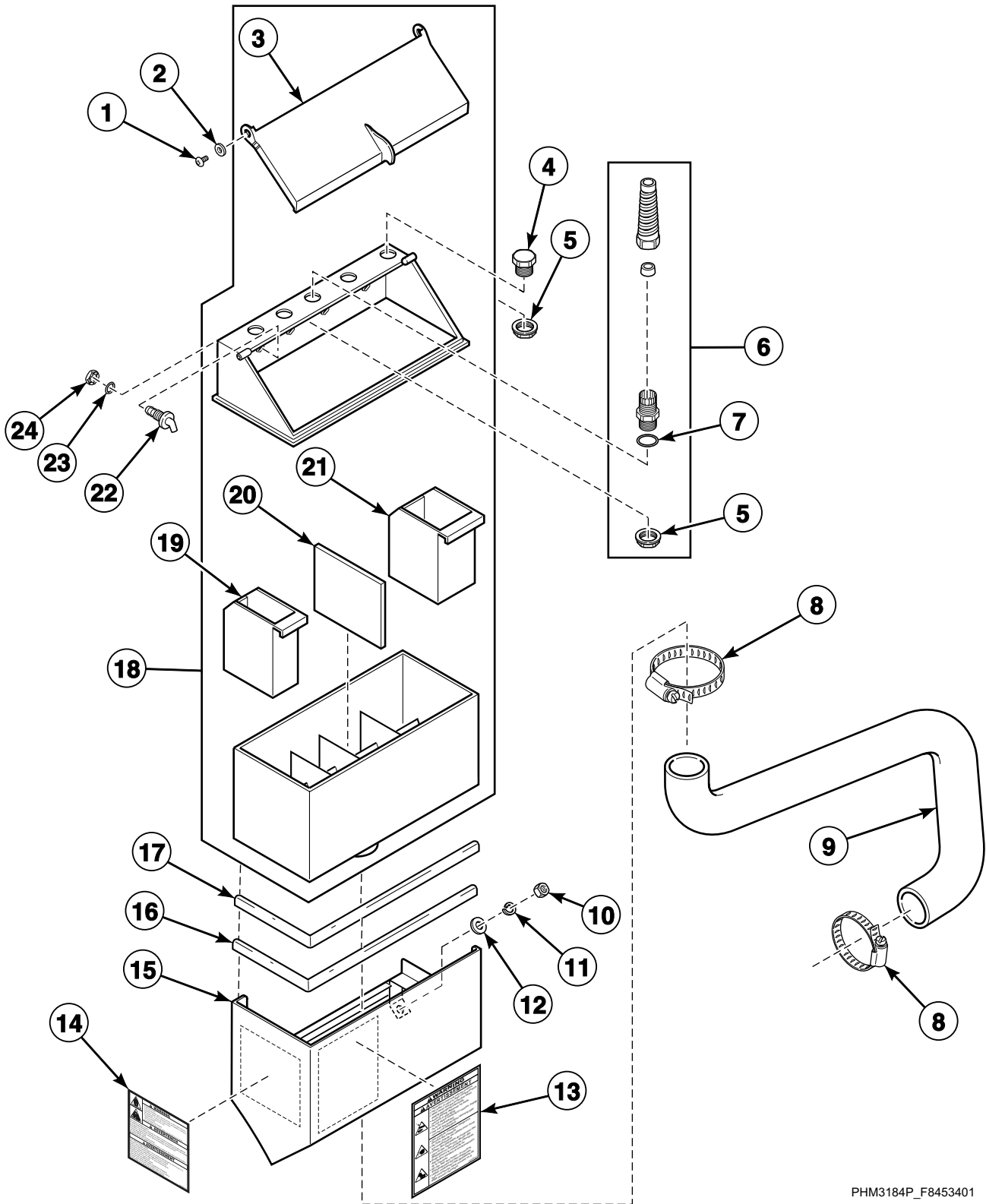
PHM3174P_F8453401

Shell and Frame

REF	PART NO.	DESCRIPTION	COMMENTS
1	F8279201	Shell Assembly	65 pound models with a 2 or 4 in the 8th position; Hot and cold water fill
	F8279202	Shell Assembly	65 pound models with a 2 or 4 in the 8th position; Steam and electric heat
	F8279203	Shell Assembly	65 pound models with a 1 or 3 in the 8th position; Hot and cold water fill
	F8279204	Shell Assembly	65 pound models with a 1 or 3 in the 8th position; Steam and electric heat
	F8419901	Shell Assembly	45 pound models with a 2 or 4 in the 8th position; Hot and cold water fill
	F8419902	Shell Assembly	45 pound models with a 2 or 4 in the 8th position; Steam and electric heat
	F8419903	Shell Assembly	45 pound models with a 1 or 3 in the 8th position; Hot and cold water fill and steam heat
	F8419904	Shell Assembly	45 pound models with a 1 or 3 in the 8th position; Steam and electric heat
2	H88213996	Screw	
3	M400081	Washer	
4	F200215	Hose Clamp	
5	F8363601	Vent Hose	
6	F8337101	Excluder Seal	Standard
	F8337102	Excluder Seal	Viton
7	F8452701	Seal Scupper Pad	
8	F8262001	Frame Weldment	
9	44127701	Warning Label	Shock/pinch
10	F8402701	Washer	
11	44087301	Nut	
12	F8353901	Frame Shield	
13	F8207001	Gasket	
14	F8433001	Grommet	
15	F8285106	Seal Wear Plate	
16	F8402701	Washer	
17	F8442801	Screw	

Supply Dispenser

Models with a 1 or 3 in the 8th Position



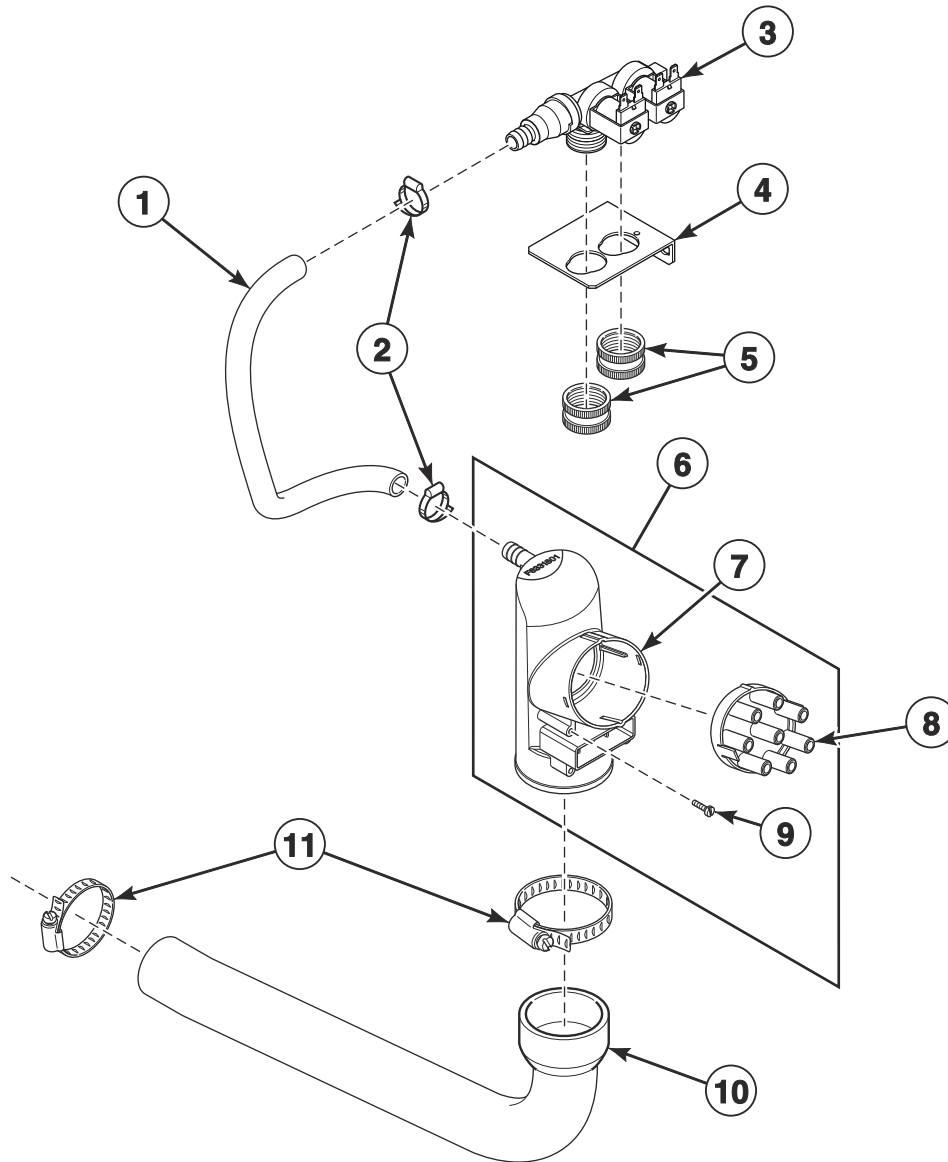
PHM3184P_F8453401

Supply Dispenser

REF	PART NO.	DESCRIPTION	COMMENTS
	F8029503	External Supply Harness	
1	F430956	Screw	
2	F8195301	Washer	
3	F0150514-00	Dispenser Lid	
4	F190304	Plug Cap	
5	F140340P	Strain Relief Connector	
6	F749802	Strain Relief Adapter Kit	Includes items 5 and 7
7	F170215	O-Ring	
8	F200213	Hose Clamp	No. 40
9	F8332002	Supply Hose	45 pound models
	F8332001	Supply Hose	65 pound models
10	F431005	Nut	
11	F431100	Washer	
12	F431147	Washer	
13	F8428501	Warning Label	
14	F8428701	Warning Label	
15	F8024304	Soap Dispenser Shroud Weldment	
16	F170400RP	Trim	
17	F170158P	Gasket	
18	F0150512-00P	Dispenser Assembly	Includes items 3 and 19-21
19	F150385	Chemical Supply Cup	20 ounce; 3 used
20	F0150525-00	Supply Dispenser Spacer	
21	F150386	Chemical Supply Cup	32 ounce; 2 used
22	F8322001	Injection Nozzle	
23	F170208	O-Ring	
24	802292	Nut	

Chemical Injection

Models with a 2 or 4 in the 8th Position



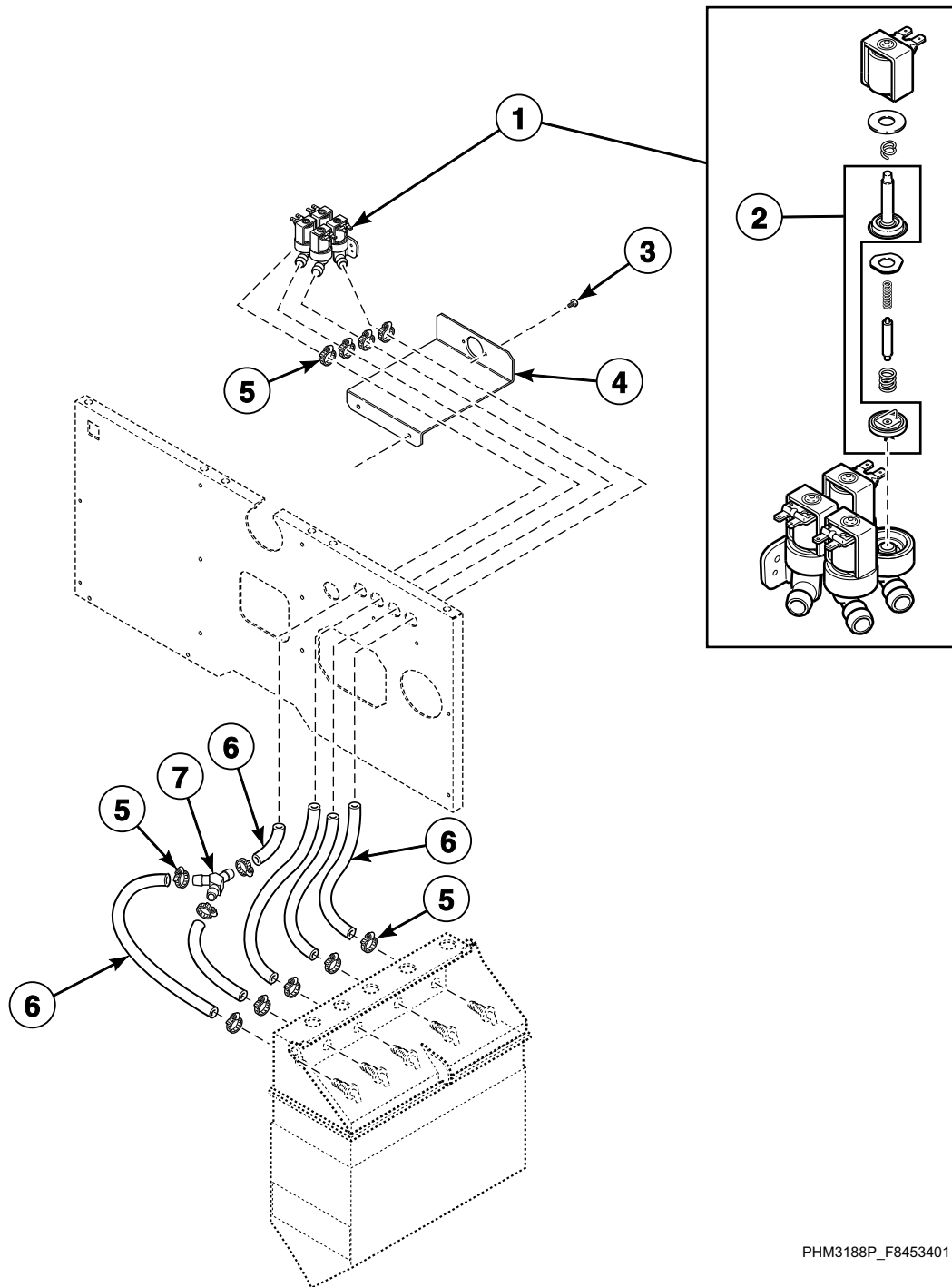
PHM3185P_F8453401

Chemical Injection

REF	PART NO.	DESCRIPTION	COMMENTS
	F8029503	External Supply Harness	
1	F200116	Water Hose	
2	36801	Hose Clamp	No. 6
3	202396	Mixing Valve	
4	F8428901	Water Valve Bracket	
5	24145	Cap	
6	F8331801P	Chemical Injection Kit	Includes items 7-9
7	F8331801	Dispenser	
8	F8325102	Dispenser Cap	
9	800548	Screw	
10	F8312801	Dispenser Hose	
11	F200213	Hose Clamp	No. 40

Water Supply Valve and Hoses to Supply Dispenser

Models with a 1 or 3 in the 8th Position

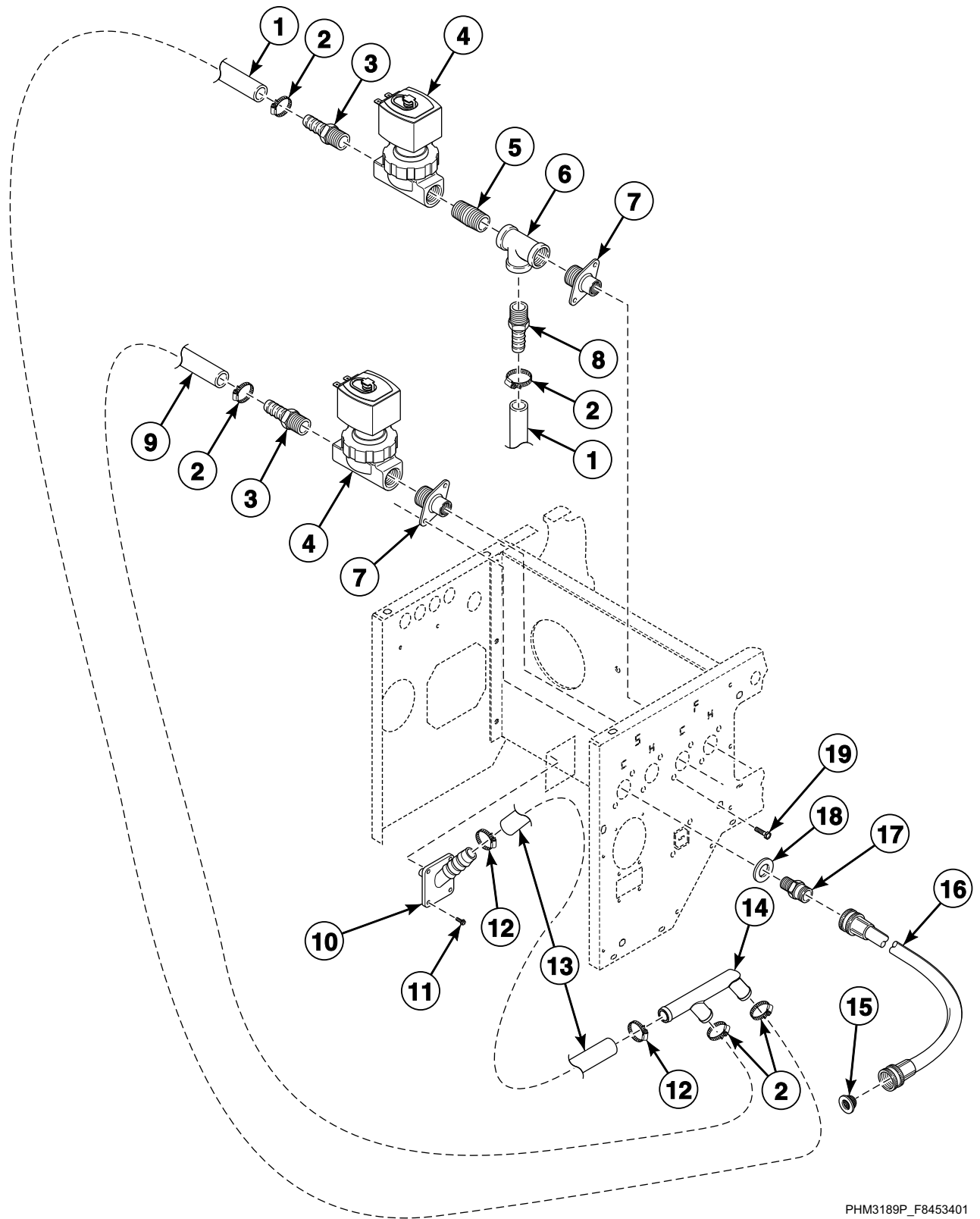


PHM3188P_F8453401

Water Supply Valve and Hoses to Supply Dispenser

REF	PART NO.	DESCRIPTION	COMMENTS
1	F8336601	4-Way Valve	240 Volt; Includes regulator
	F8347301	Dispenser Valve Harness	
2	G582P3	Diaphragm and Guide Kit	
3	F430948	Screw	
4	F8331902	Valve Mounting Bracket	
5	36801	Hose Clamp	No. 6
6	F200110P	Water Hose	
7	F422816	Y Connector	

Fill Plumbing Assembly



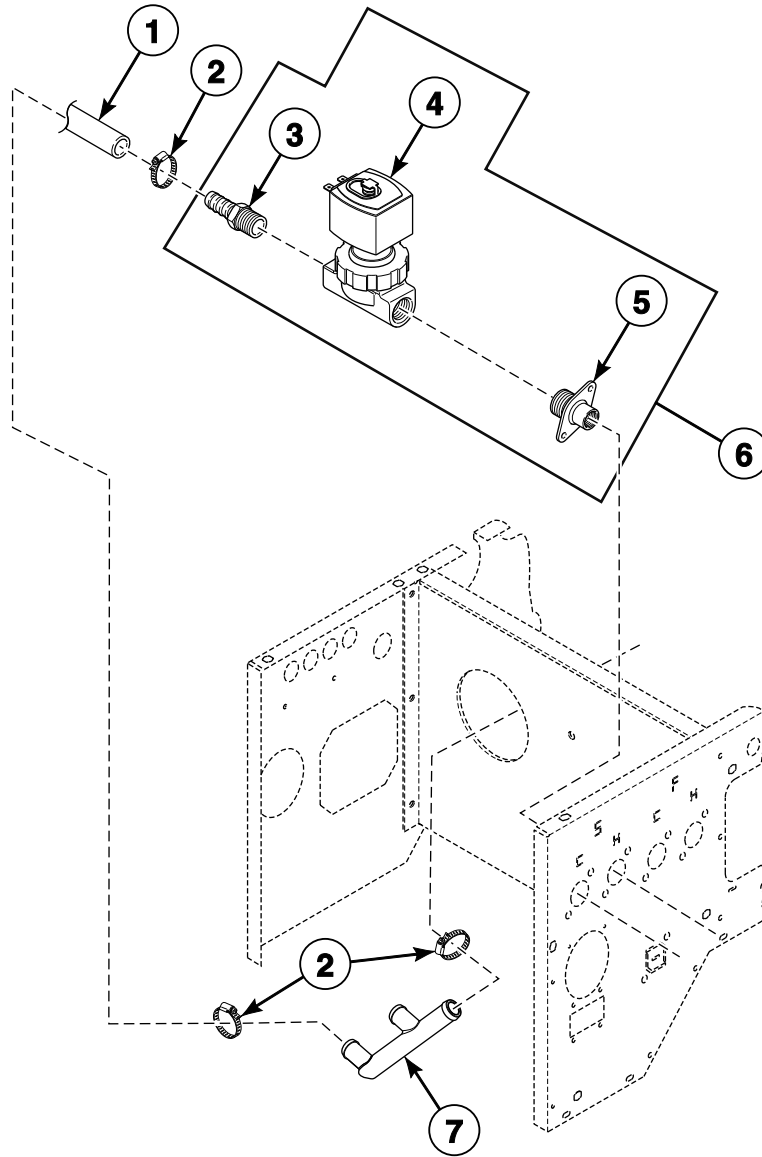
PHM3189P_F8453401

Fill Plumbing Assembly

REF	PART NO.	DESCRIPTION	COMMENTS
	F8347501	Fill/Supply Harness	
	F8347101	Fill Valve Harness	
1	F8232006	Hose	
2	36801	Hose Clamp	No. 8
3	F421964	Hose Barb	
4	F8322803P	Valve	1/2 inch; Brass; Use F8456201 Valve Transition Kit to repair
5	F421921	Nipple	1/2 inch; Brass
6	F422208	Tee	
7	F8362701	Coupling	1/2 inch
8	F8110701	Hose Barb	
9	C002657	Hose	Order 2 feet
10	F8351601	Fill Port	
11	70442301	Screw	
12	F200222	Hose Clamp	No. 12
13	F8232006	Hose	
14	F8333201	Manifold	
15	803615	Washer	Filter
16	F200164	Water Hose	Standard thread
	F200166	Water Hose	Metric thread
17	F421908	Hose Adapter	Standard thread; 3/4 x 1/2 inch
	F8265701	Adapter	Metric thread
18	20290	Washer	
19	20253	Screw	

Spray Plumbing Assembly

Models with a 3 or 4 in the 8th Position

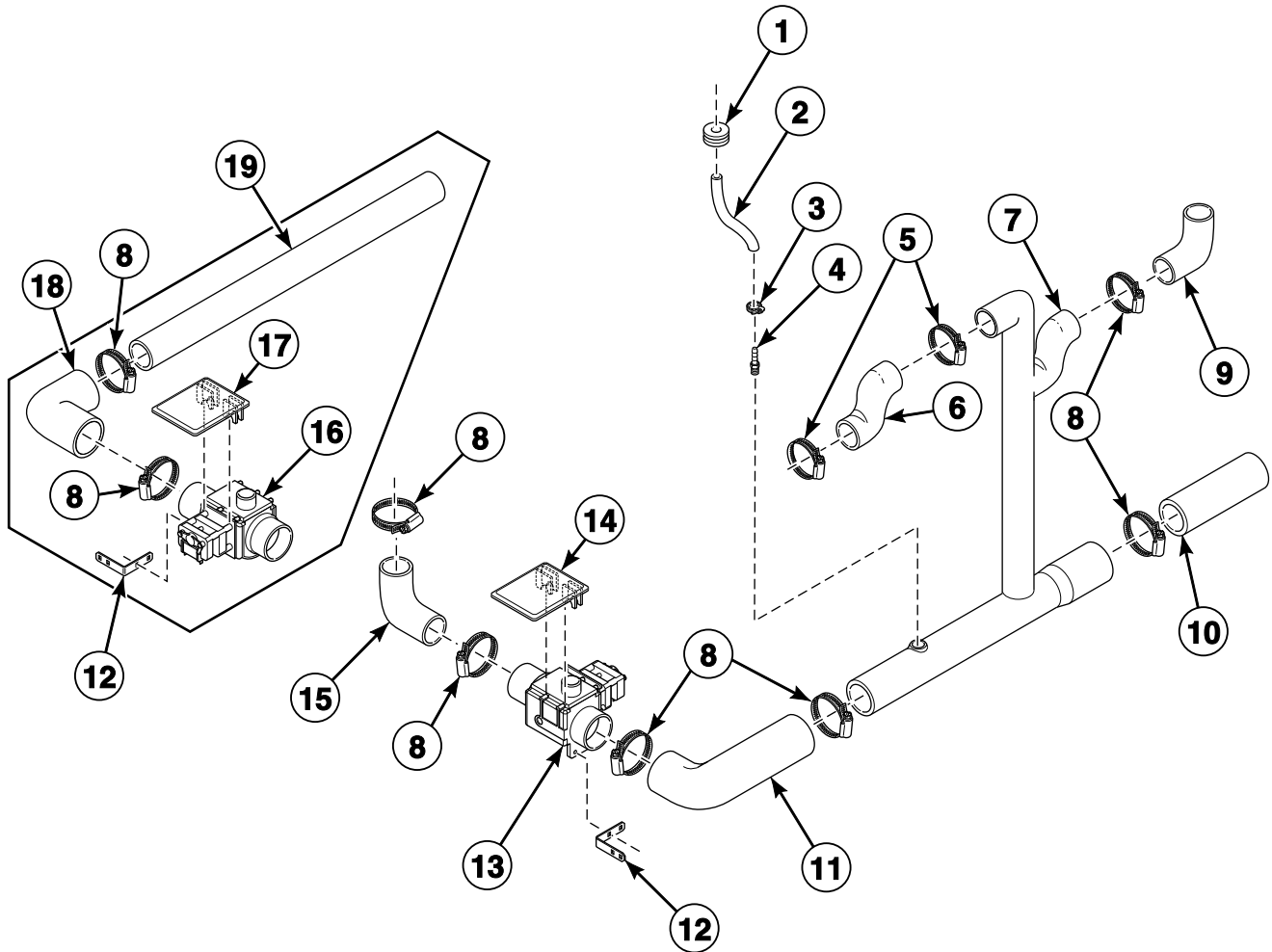


PHM3190P_F8453401

Spray Plumbing Assembly

REF	PART NO.	DESCRIPTION	COMMENTS
	F8347401	Fill/Supply Harness	
	F8347101	Fill Valve Harness	
1	F8232006	Hose	
2	36801	Hose Clamp	No. 8
3	F8110701	Hose Barb	
4	F8322803P	Valve	1/2 inch; Brass; Use F8456201 Valve Transition Kit to repair
5	F8362702	Coupling	3/4 inch
6	F8288401	Fill Plumbing Assembly	Includes items 3-5
7	F8333201	Manifold	

Drain

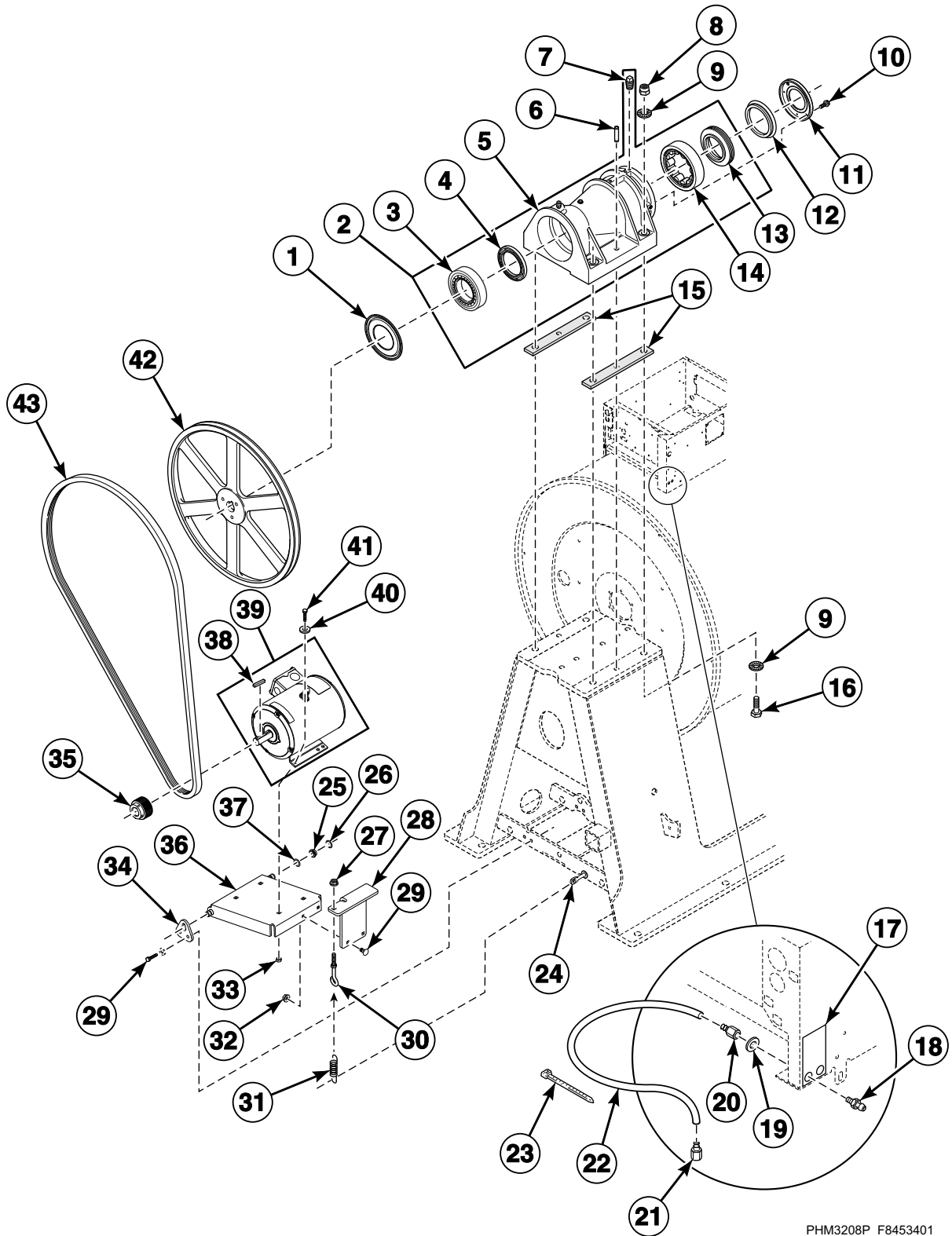


PHM3205P_F8453401

Drain

REF	PART NO.	DESCRIPTION	COMMENTS
	F8257001P	Drain Valve Harness	Standard and electric heat
	F8257002	Drain Valve Harness	Steam heat
	F8257101	Dual Drain Harness	
1	F8410501	Grommet	
2	F8405401	Tubing	
3	36801	Hose Clamp	No. 6
4	F8402301	Hose Barb	
5	F200215	Hose Clamp	No. 28
6	F0150488-00	Overflow Hose	
7	F8351302	Molded Drain	
8	F200201	Hose Clamp	No. 56
9	F8261303	Drain Hose	
10	F200165100	Drain Hose	
11	F8387301	Drain Elbow Hose	
12	F8312901	Valve Support Bracket	
13	F200166402	Drain Valve Kit	
14	F200133600	Drain Valve Cover	
15	F8340801	Drain Elbow Hose	
16	F200166402	Drain Valve Kit	Water re-use option
17	F200133600	Drain Valve Cover	Water re-use option
18	F8340801	Drain Elbow Hose	Water re-use option
19	F0602365-27	Pipe	Water re-use option

Motor, Pulley and Bearings

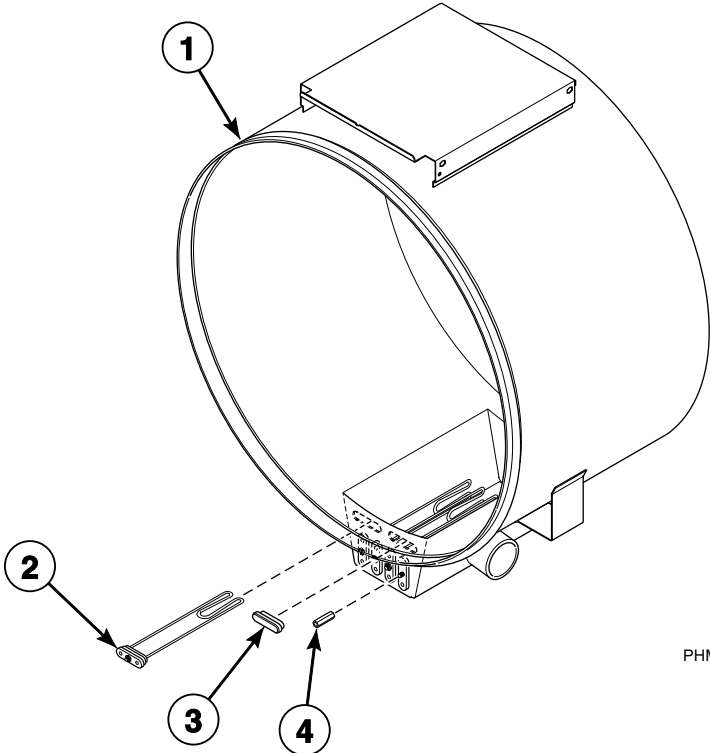


PHM3208P_F8453401

Motor, Pulley and Bearings

REF	PART NO.	DESCRIPTION	COMMENTS
	F823P3	Bearing Housing Kit	Standard; Includes items 6, 8, 10-12, 15 and 16, C002846 Sealant; Use F410P4 Bearing Housing Assembly Removal Kit to remove and install new housing
	F822P3	Bearing Housing Kit	Viton; Includes items 6, 8, 10-12, 15 and 16, C002846 Sealant; Use F410P4 Bearing Housing Assembly Removal Kit to remove and install new housing
	F824P3	Motor Plate and Spring Assembly Kit	Includes items 24, 26-33, 36, 37, 39 and 40
1	F8379301	Seal	
2	F8272402	Bearing Housing Assembly	Standard; Includes items 3-5, 7, 13 and 14
	F8272403	Bearing Housing Assembly	Viton; Includes items 3-5, 7, 13 and 14
3	F8375401	Bearing	Spherical
4	F8440001	Radial Lip Seal	Double Lip
5	F8257303	Bearing Housing	
6	F8406502	Dowel Pin	
7	J1408004	Connector	
8	F430248	Nut	
9	F0430350-00	Washer	
10	F8442801	Screw	
11	F8285106	Seal Wear Plate	
12	F8337101	Excluder Seal	Standard
	F8337102	Excluder Seal	Viton
13	F8203807	Radial Seal	Triple Lip
14	F8280504	Bearing	Cylindrical; Includes basket sleeve and bearing
15	F8502305	Shell Band Gasket	
16	F8313701	Screw	
17	F8422801	Grease Instruction Label	Lubrication
18	F190701	Grease Fitting	
19	70292801	Washer	
20	F422114	Air Coupling	
21	J1408004	Connector	
22	F8245703	Tubing	28 inches use on UW45 front bearing; 37 inches used on UW65 rear bearing
	F609601-5	Tubing	32 inches used on UW45 rear bearing; 32 inches used on UW65 front bearing
23	F140605	Cable Tie	6 inch
24	F8351901	Eye Bolt	
25	F8333301	Flanged Bushing	
26	F8451601	Spacer	
27	44087201	Nut	
28	F8342201	Motor Spring Bracket	
29	F8402801	Bolt	
30	F8319503	Eye Bolt	
31	F8440701	Extension Spring	
32	44087301	Nut	
33	F8387601	Nut	
34	F8441101	Motor Rod Plate	
35	F8362601	Motor Pulley	
36	F8441801	Motor Bracket Weldment	
37	F8441901	O-Ring	
38	M405232	Key	
39	F8335201	Motor	Includes item 38
40	F8366601	Washer	
41	800461	Screw	
42	F8302101	Basket Pulley	
43	F8382806	Belt	

Electric Heat Option

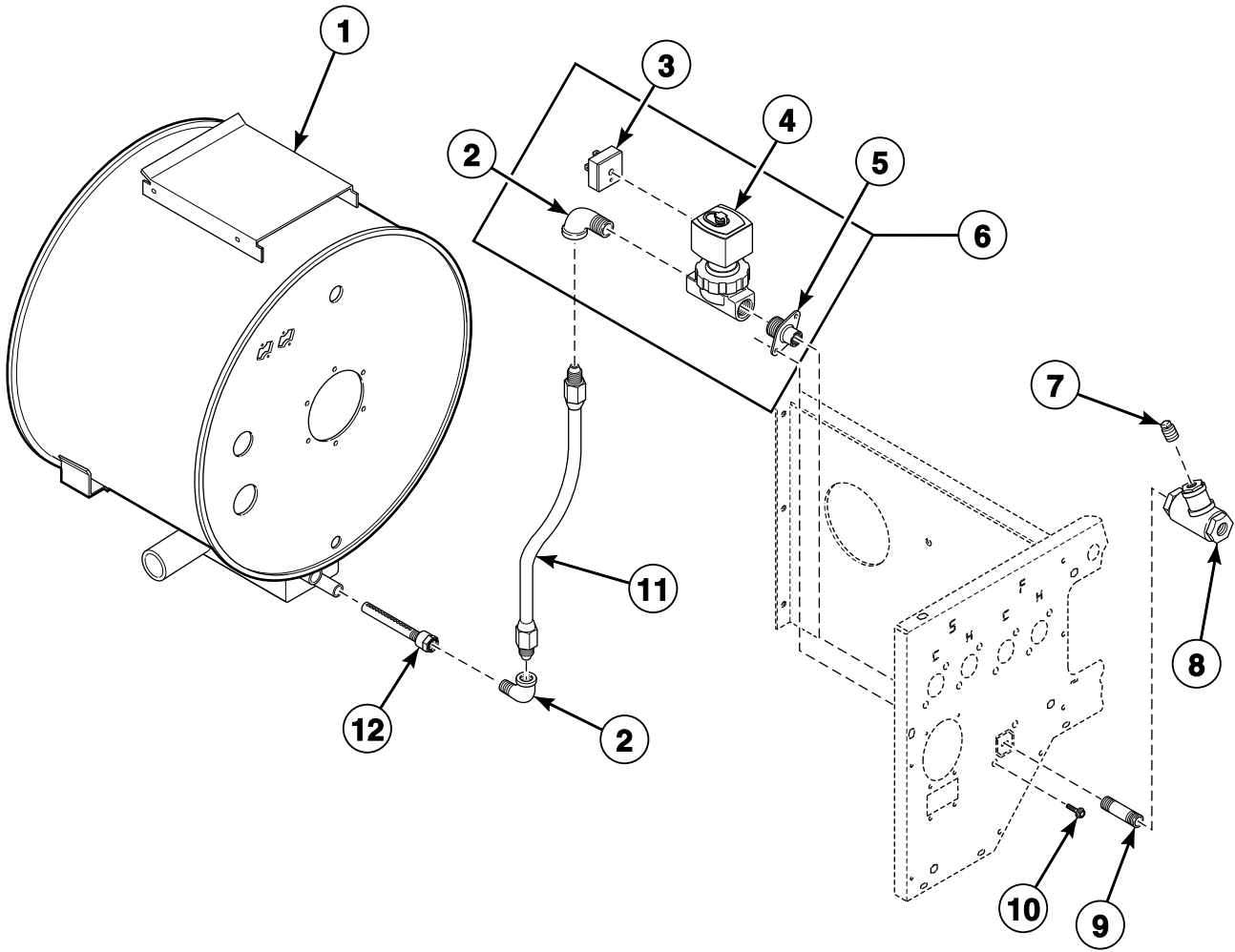


PHM3216P_F8453401

Electric Heat Option

REF	PART NO.	DESCRIPTION	COMMENTS
	F8054701P	Electric Heat Harness	N and P-voltage
	F8054702	Electric Heat Harness	Q-voltage
1	F8419904	Shell Assembly	45 pound models with a 1 or 3 in the 8th position
	F8419902	Shell Assembly	45 pound models with a 2 or 4 in the 8th position
	F8279204	Shell Assembly	65 pound models with a 1 or 3 in the 8th position
	F8279202	Shell Assembly	65 pound models with a 2 or 4 in the 8th position
2	F360203P	Heating Element	6 required
	F8056701	Electric Heat Harness	6 required; Element to ground
3	F360202	Heating Element Plug	
4	F8515401	Standoff	

Steam Heat Option

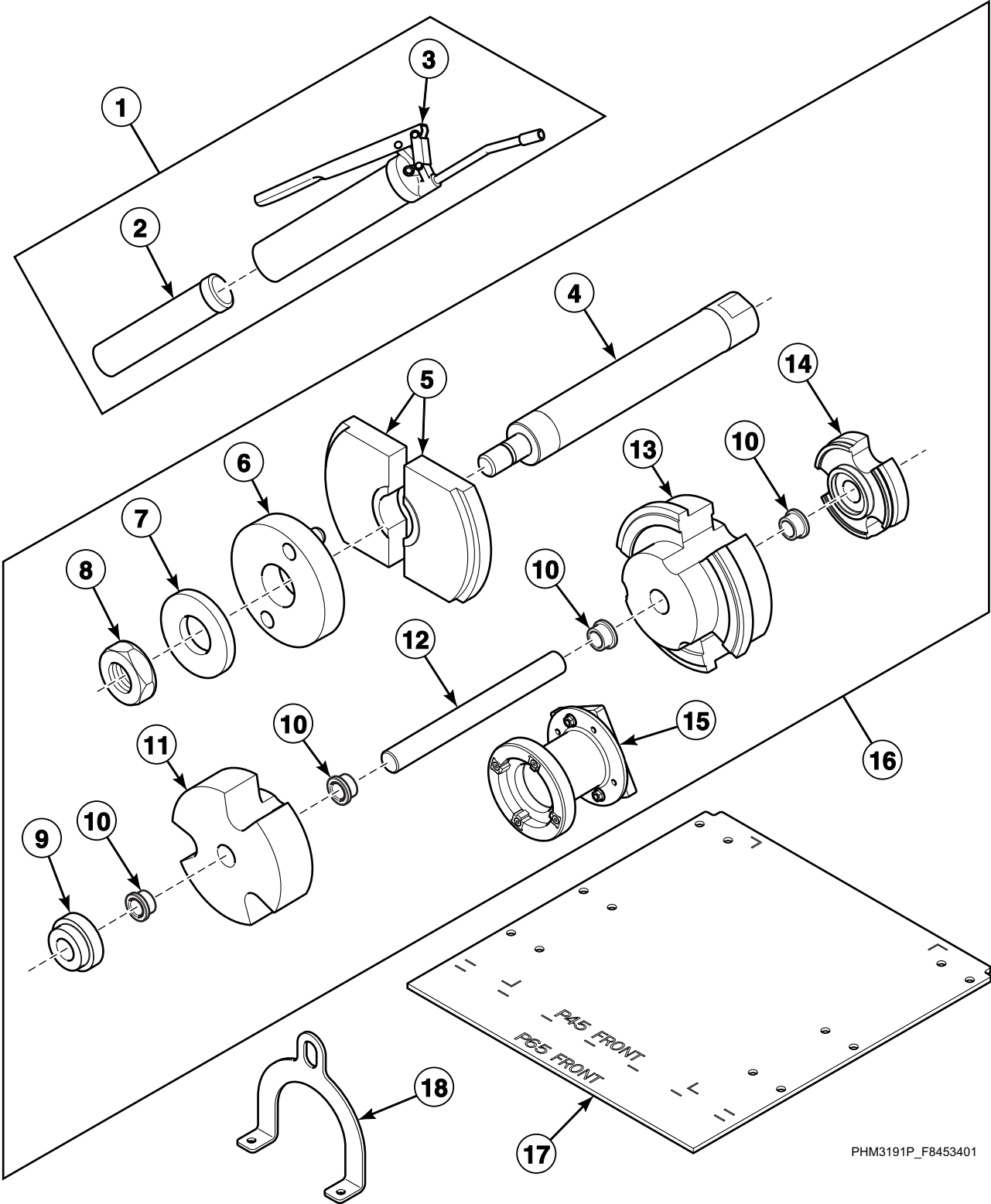


PHM3200P_F8453401

Steam Heat Option

REF	PART NO.	DESCRIPTION	COMMENTS
	F8394501	Steam Assembly	Includes items 6-12
	F820P3	Steam Heat Kit	Includes F8394501 Steam Assembly, F8257002 Drain Valve Harness, F410300 Pipe Insulation and hardware
1	F8419904	Shell Assembly	45 pound models with a 1 or 3 in the 8th position
	F8419902	Shell Assembly	45 pound models with a 2 or 4 in the 8th position
	F8279204	Shell Assembly	65 pound models with a 1 or 3 in the 8th position
	F8279202	Shell Assembly	65 pound models with a 2 or 4 in the 8th position
2	F421703	Street Elbow	
3	F8382301	DIN Valve Adapter Kit	
4	F8322801P	Valve	1/2 inch; 220 Volt; Use F8456201 Valve Transition Kit to repair
5	F8362701	Coupling	
6	F8288403	Steam Valve Assembly	Includes items 2-5
7	F420409	Plug	
8	F270307	Steam Filter	
9	901403	Pipe Nipple	
10	70321501	Screw	
11	F200197	Steam Hose	
12	F603132	Steam Injector Tube Assembly	

Special Tools



PHM3191P_F8453401

Special Tools

REF	PART NO.	DESCRIPTION	COMMENTS
	F8167901	USB IR Device Assembly	
	F8133301	UniLinc PC and PDA Software CD	Models with a T in the 7th position
	F8133701	UniLinc PC and PDA Software CD	Models with a T in the 7th position; Programmer's version
	F923P3	Wet-Clean Kit	
	F8413201	Frame Template	
	F924P3	Reuse Kit	
	1112P	Concrete Hardware Kit	
	F8498101	Concrete Epoxy Kit	
1	F798700	Grease Gun Kit	Includes items 2 and 3
2	F210206P	Bearing Grease	
3	F210207P	Grease Gun	
4	F8450401	Bearing Removal Shaft Assembly	
5	F8450601	Bearing Removal Plate	
6	F8455601	Bearing Removal Washer Assembly	
7	F8456101	Washer	
8	F8455801	Nut	
9	F8455701	Bearing Removal Plug	
10	F8452001	Bushing	
11	F8452201	Bearing Seal Fixture	Front
12	F8452101	Threaded Rod	
13	F8451801	Seal Press Fixture	
14	F8451901	Bearing Seal Fixture	Back
15	F8453101	Bearing Sleeve Assembly	
16	F409P4	Bearing Seal Insertion and Removal Kit	Includes items 4-15 and hardware; Part no. F409P4 with a 'P' suffix is for purchase; Part no. F409P4 with a '-1', '-2' or '-3' suffix is for rent
17	F8413101	Frame Template	
18	F410P4	Bearing Housing Assembly Removal Kit	Includes F8463301 Bolts

Parts Index

A

Adapter	
F8265701	35
Air Coupling	
F422114	41
Auxiliary Control Assembly	
F8189401	9

B

Basket Assembly Kit	
F8424202P	25
F8424302P	25
Basket Pulley	
F8302101	41
Bearing	
F8280504	41
F8375401	41
Bearing Grease	
F210206P	47
Bearing Housing	
F8257303	41
Bearing Housing Assembly	
F8272402	41
F8272403	41
Bearing Housing Assembly Removal Kit	
F410P4	47
Bearing Housing Kit	
F822P3	41
F823P3	41
Bearing Removal Plate	
F8450601	47
Bearing Removal Plug	
F8455701	47
Bearing Removal Shaft Assembly	
F8450401	47
Bearing Removal Washer Assembly	
F8455601	47
Bearing Seal Fixture	
F8451901	47
F8452201	47
Bearing Seal Insertion and Removal Kit	
F409P4	47
Bearing Sleeve Assembly	
F8453101	47
Belt	
F8382806	41
Belt Guard Assembly	
F8487901	17
Blind Rivet	
F8245101	23
Bolt	
C001784	21
F8270701	21, 23
F8402801	41
Bulkhead Brace	
F8439001	19

Bushing	
F8378701	21
F8452001	47
70346501	9

C

Cable Tie	
F140605	41
Cap	
24145	31
CFG Harness	
F8028109	9
Chemical Injection Kit	
F8331801P	31
Chemical Supply Cup	
F150385	29
F150386	29
Circuit Breaker	
F8303001P	13
70256901P	13
Clean Filter Daily Decal	
F200061000	7, 13
Clip	
M400984	9
Communication Board	
210095P	7
Concrete Epoxy Kit	
F8498101	47
Concrete Hardware Kit	
1112P	47
Connector	
F422500	9
J1408004	41
Contact Block Switch	
F200233401	7
Contact Switch	
F8069501	7
Contact Kit	
F330177P	13
F330188P	13
Control Assembly Kit	
F980P3	9
Control Kit	
F100P3	7
F101P3	7
F119P3	7
F122P3	7
Control Module Decal	
F8237101	7
F8383101	7
Control Panel Assembly	
F8408601	7
Conversion Label	
F8099801	19
F8448801	19
Coupling	
F8362701	35, 45
F8362702	37

N/A items do not appear in index.

D

Diaphragm and Guide Kit G582P3	33
DIN Rail F8134001	13
F8434101	13
DIN Valve Adapter Kit F8382301	45
Dispenser F8331801	31
Dispenser Assembly F0150512-00P	29
Dispenser Cap F8325102	31
Dispenser Hose F8312801	31
Dispenser Lid F0150514-00	29
Dispenser Valve Harness F8347301	33
Do Not Tamper Label F8345901	11
Door Assembly F8307801	21
F8307802	21
Door Assembly Kit F825P3	21
F826P3	21
Door Gasket F8434901P	21
Door Glass C000191	21
F8323401	21
Door Glass Gasket C000190	21
Door Glass Retainer F8323301	21
Door Handle F8435501	21
Door Hinge F8436001	21
Door Hinge Shim F8398301	21
Door Latch Arm Assembly F8221401	21
Door Lock Assembly F8320501	23
Door Lock Catch F8344501	23
Door Lock Cover F8435801	23
Door Lock Microswitch F200203200	23
Door Lock Plate Assembly F8320401	23
Door Lock Plate Shim F8398401	23
Door Lock Switch Lever F8223401	23
Door Lug Hinge F8435901	21

Door Spray Nozzle Assembly F8356301	21
Door Weldment F8308001	21
Dowel Pin F8406502	41
Drain Elbow Hose F8340801	39
F8387301	39
Drain Hose F200165100	39
F8261303	39
Drain Valve Cover F200133600	39
Drain Valve Harness F8257001P	39
F8257002	39
Drain Valve Kit F200166402	39
Drive Assembly F8204801	11
Drive Box Partition F8332801	19
Drive Control Harness F8030101P	9
F8030201P	11
Drive Fan Harness F8113901	13
Drive Mounting Bracket F8322401	11
F8386901	11
Drive Mounting Panel F8324501	19
Drive Power Harness F8027802	11
Dual Drain Harness F8257101	39

E

Earth Terminal Sticker M412096	13
Elbow F8453701	21
Electric Heat Coils Harness F8054901	11
F8054903	11
Electric Heat Harness F8054601	11
F8054602	11
F8054603	11
F8054701P	43
F8054702	43
F8056701	43
Electric Shock Danger Label F8115501	11
Electrical Access Cover F8323801	19
Emergency Stop Harness F8060501	7
Emergency Stop Pushbutton F200233500	7

N/A items do not appear in index.

EMI Filter	
F8053901P	11
F8053902	11
EMI Filter Kit	
F827P3	11
F828P3	11
EMI Filter Power Harness	
F8129001	11
Ethernet Gateway Kit	
NK320	7
Excluder Seal	
F8337101	27, 41
F8337102	27, 41
Expansion Clip	
70030501	9, 17, 19, 23
Extension Spring	
F8440701	41
External Supply Connection Decal	
F8059801	7
F8150201	7
External Supply Harness	
F8029503	29, 31
External Supply Label	
F8161701	7
Eye Bolt	
F8319503	41
F8351901	41

F

Female Pin Terminal	
00117	9
Fill Plumbing Assembly	
F8288401	37
Fill Port	
F8351601	35
Fill Valve Harness	
F8347101	35, 37
Fill/Supply Harness	
F8347401	37
F8347501	35
Filter	
F200318900P	9, 13
Filter Retainer Guard	
F220900	9, 13
Flanged Bushing	
F8333301	41
Frame Shield	
F8353901	27
Frame Template	
F8413201	47
Frame Weldment	
F8262001	27
Front Bulkhead Panel	
F8286501	19
F8286502	19
F8286503	19
F8286504	19
Front Panel	
F8408001	17
Fuse	
802492	9
802493	9

G

Gasket	
F170158P	29
F8207001	27
Grease Fitting	
F190701	41
Grease Gun	
F210207P	47
Grease Gun Kit	
F798700	47
Grease Instruction Label	
F8422801	41
Grommet	
F170604	17
F8410501	39
F8433001	27
F8457801	23
Ground Decal	
F230630	11
F230739	11
Ground Lug Connector	
M411283	13

H

Handle Mount	
F8435701	21
Harness	
F8030001	13
F8030002P	13
Heating Element	
F360203P	43
Heating Element Plug	
F360202	43
Hose	
C002657	35
F8232006	35, 37
F8245714	41
Hose Adapter	
F421908	35
Hose Barb	
F421964	35
F8110701	35, 37
F8402301	39
Hose Clamp	
F200201	39
F200213	29, 31
F200215	27, 39
F200222	35
36801	31, 33, 35, 37, 39
Hot Surface Warning Decal	
F200085000	21

I

Injection Nozzle	
F8322001	29
Insulator	
M413862	11

N/A items do not appear in index.

Interlock Contactor F330186P	13
Interlock Switch Harness F8030501P	9
F8158801P	9

J

Jumper Configuration Assembly M413507	9
Jumper Harness Assembly M413506	9

K

Key M405232	41
----------------------	----

L

Left Bulkhead Panel F8374202	19
Left Side Panel F8407902	17
F8407904	17
Logic Supply Power Harness F8060001	11
Logo F8443101	7

M

Magnet F8406201	21
Main Power Harness F8060301	11
Male Tab Terminal 00177	13
Manifold F8333201	35, 37
Mixing Valve 202396	31
Module Box Panel F8408901	7
F8410301	7
Module Box Panel Kit F8410301P	7
F8412501P	7
F8412502P	7
Molded Drain F8351302	39
Motor F8335201	41
Motor Bracket Weldment F8441801	41
Motor Plate and Spring Assembly Kit F824P3	41
Motor Pulley F8362601	41

Motor Rod Plate F8441101	41
Motor Spring Bracket F8342201	41
Mount on Concrete Warning Label F8246401	17
Muffin Fan F110110	9, 13

N

Network Board Assembly 201341	9
Network Board Bracket F8079401	9
Network Controller Kit NK220	7
Network Retrofit Kit NK205	7
Network Wire Harness Assembly 44088501P	9
Nipple F421921	35
Nut F430218	25
F430225	15, 23
F430231	9, 13
F430232	9, 23
F430248	41
F431005	29
F431026	21
F8322601	21
F8387601	41
F8455801	47
M400977	7
44087201	41
44087301	27, 41
70030401	17
802292	29

O

O-Ring F170200	21
F170208	29
F170215	29
F8441901	41
Output Assembly F8108501P	9
Output/Logic Harness F8028701	7
Overflow Hose F0150488-00	39

P

Panel Locator 56079	17
PC Board Standoff 210098	7

N/A items do not appear in index.

Pin	F8302701	25
Pipe	F0602365-27	39
Pipe Nipple	901403	45
Pipe Rinse Tube Assembly	F8332301	21
	F8332302	21
Plug	F420409	45
	F8223901	9, 13
	M400985	9
Plug Cap	F190304	29
Pop Rivet	F431210	9
	70058501	11, 13
Power Distribution Block Cover	44014901P	11
Power Harness	F8060401P	9
	F8367801	9
Pressure Bulb	30907	9

R

Radial Lip Seal	F8440001	41
Radial Seal	F8203807	41
Rear Bulkhead Edging	F8439101	19
Rear Bulkhead Panel	F8438901	19
Reed Switch Assembly	F8066801P	23
Reed Switch Bracket	F8402601	23
Reuse Kit	F924P3	47
Right Bulkhead Panel	F8374201	19
Right Side Panel	F8407901	17
	F8407903	17
Ring Retainer	F310206	21
Rivet	M412763	17
Rocker Switch	F8367701	7

S

Screw	F430174	7
	F430903	9, 13
	F430948	33
	F430956	29
	F8117601	7, 9, 23

	F8151201	9, 13
	F8206901	9, 17, 19
	F8313701	41
	F8442801	27, 41
	H88213996	27
	M401938	15
	M411072	13, 17
	20253	17, 35
	39733	11
	431287	21
	51780	9, 13
	51783	13
	70182601	17
	70321501	45
	70442301	35
	800461	41
	800462	25
	800548	31
	804398	25
Seal	F8379301	41
Seal Press Fixture	F8451801	47
Seal Scupper Pad	F8452701	27
Seal Wear Plate	F8285106	27, 41
Shell Assembly	F8279201	27, 45
	F8279202	27, 43
	F8279203	27, 45
	F8279204	27, 43
	F8419901	27, 45
	F8419902	27, 43
	F8419903	27, 43, 45
	F8419904	27
Shell Band	F8388005	25
Shell Band Gasket	F8502305	25, 41
Shell Extension Band	F8510501	25
Shell Front Assembly	F8319901	21, 25
Shim	F8484401	23
Sleeve Adapter	F8382501	25
Snap Bushing	M402542	9, 13
Soap Dispenser Shroud Weldment	F8024304	29
Solenoid	F8340101	23
Spacer	F431901	23
	F8451601	41
Spray Nozzle Gasket	F8322701	21
Spray Rinse Assembly Kit	F8510701	21
Spray Rinse Bracket	F8451101	21
Spray Rinse Hose	F8455501	21

N/A items do not appear in index.

Spray Rinse Kit F821P3	21	
Spray Rinse Strap F8451701	21	
Spring Pin F431222	21	
Steam Assembly F8394501	45	
Steam Filter F270307	45	
Steam Heat Kit F820P3	45	
Steam Hose F200197	45	
Steam Injector Tube Assembly F603132	45	
Steam Valve Assembly F8288403	45	
Steam-Electric Switch Label F8368301	7	
Step Down Power Harness F8405101	13	
Strain Relief Adapter Kit F749802	29	
Strain Relief Connector F140340P	29	
Street Elbow F421703	45	
Supply Dispenser Spacer F0150525-00	29	
Supply Hose F8332001	29	
	F8332002	29
Swivel Coupling Assembly F8504001	21	
Swivel Coupling Body F8453602	21	
Swivel Coupling Bushing F8453801	21	

T

Tee F422208	35	
	F8246601	9
Temperature Harness F8028221P	15	
	F8028230	15
	F8028234	15
Terminal Block M413865	11	
	430642	11
Terminal Block Shield 70333001	11	
Thermistor Sensor F370609	15	
Threaded Rod F8452101	47	
Top Cover F8374101	19	
Top Left Cover F8374002	19	

Top Right Cover F8374001	19	
Torsion/Door Lock Spring F8070301	23	
Transformer 201616P	9, 13	
	803527P	9
Trim F170400RP	29	
	F8412802	17
Tubing F8153901	9	
	F8339601	9
	F8405401	39

U

UniLinc PC and PDA Software CD F8133301	47	
	F8133701	47
USB Gateway Kit NK320	7	
USB IR Device Assembly F8167901	47	
Use Copper Conductors Only Caution Label F8242201	11	

V

Valve F8322801P	45	
	F8322803P	35, 37
Valve Mounting Bracket F8331902	33	
Valve Support Bracket F8312901	39	
Valve, 4-Way F8336601	33	
Vent Hose F8363601	27	
Vibration Switch F8204001	15	
Vibration Switch Shield F8337301	15	

W

Warning Label F8233501	7, 19	
	F8428501	19, 29
	F8428701	7, 29
	44127701	7, 11, 17, 19, 27
Washer F0430350-00	41	
	F431100	21, 29
	F431125	15, 23
	F431147	21, 29
	F431916	21
	F8193101	23
	F8195301	29
	F8366601	41

N/A items do not appear in index.

F8402701	27
F8456101	47
M400080	25
M400081	27
M405535	17
20290	35
70292801	41
803615	35
Water Hose	
F200110P	33
F200116	31
F200164	35
F200166	35
Water Pressure Switch	
F8223001P	9
Water Valve Bracket	
F8428901	31
Wet-Clean Kit	
F923P3	47
Wire Label	
70218701	11
Wireless Network Kit	
NK301	7

Y

Y Connector	
F422816	33
